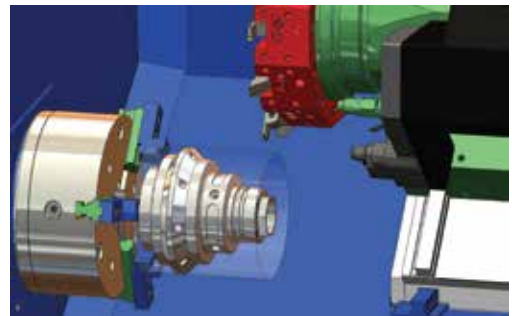


What's new in CAMWorks 2021



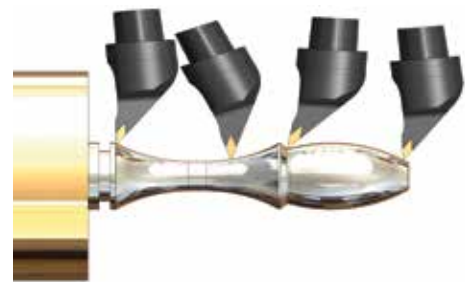
Mill-Turn in SOLIDWORKS Assemblies

- Full Mill-Turn Support in SOLIDWORKS assembly mode
- Include custom chucks, fixtures, and other machine components for simulation and collision checking
- Synchronize simultaneous milling and turning operations with multiple turrets and spindles
- Simultaneously machine both sides of a part or unique parts in the main and sub-spindles



Continuous B Axis Turning

- Reach undercuts using a single finishing tool
- Multiple cutting strategies for flexibility
- User definable limits for the B Axis tilting angle
- Specify effective lead angle or tool normal angle
- Holder clearance setting to avoid collisions



Standard Stock Size Library

- User definable Standard Stock sizes in X, Y, and Z
- Select Coordinate system to define stock size
- Select reference and input offset values to locate stock
- Create new or overwrite existing Standard Stock sizes
- Create a user-defined Standard Stock size library for each material type!



Probing for Mill-Turn Machines

- Define probing tools with new parameters for probe shank and stylus
- Automatic selection of standard probing cycle based on face/feature selection
- Dynamic display of probing toolpath to avoid collisions and broken probes
- Probe stock and set work offsets automatically!
- Support for standard probing cycles!



What's new in CAMWorks 2021

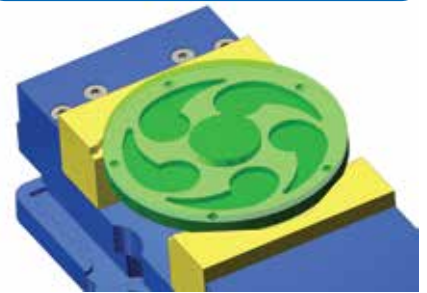
Import Tools from Helical and Harvey Tool Catalog or CSV Files



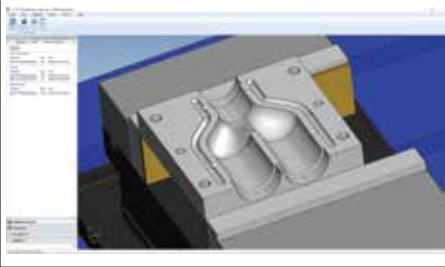
5 Axis - Spiral Swarf Milling and 5 Axis - Minimize Tilting



Cylindrical Stock Support



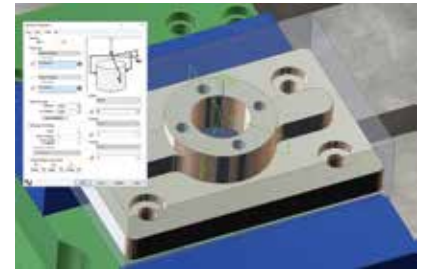
ShopFloor - Add Additional Documents and View/Edit Content



Improved Sync Manager for Synchronous Machining



Probing - Additional Parameters and 3 Point Boss / Bore



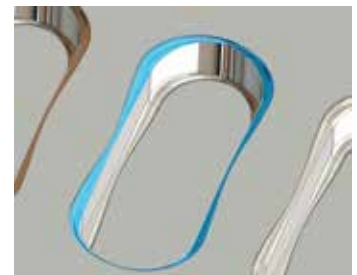
Contain Toolpath within the Contact Point Boundaries



TechDB - Default Feature Options and Resequencing of Operations



Feature Recognition - Recognize non-uniform fillets/chamfer



CAMWorks 2021 includes several enhancements. This list includes some of the most significant improvements. For more information, please visit www.camworks.com.


www.goengineer.com

CAMWORKS SALES
marketing@goengineer.com
800.688.3234

TECHNICAL SUPPORT
support@goengineer.com
888.559.6167



www.hcltech.com

Hello there! I am an Ideapreneur. I believe that sustainable business outcomes are driven by relationships nurtured through values like trust, transparency and flexibility. I respect the contract, but believe in going beyond through collaboration, applied innovation and new generation partnership models that put your interest above everything else. Right now 150,000 Ideapreneurs are in a Relationship Beyond the Contract™ with 500 customers in 49 countries. **How can I help you?**

For more information: www.camworks.com

HCL