



**stratasys**

**uPrint<sup>®</sup> SE &  
uPrint<sup>®</sup> SE Plus**

**Personal 3D Printers**

***USER GUIDE***

## LEGAL NOTICE

The information in this document is subject to change without notice. Stratasys, Inc. shall not be liable for errors contained herein or for incidental or consequential damages in connection with the furnishing, performance, or use of this material. Stratasys, Inc. makes no warranty of any kind with regard to this material, including, but not limited to, the implied warranties of merchantability and fitness for a particular purpose. It is the responsibility of the system owner/ material buyer to determine that the Stratasys material is safe, lawful, and technically suitable for the intended application as well as identify the proper disposal (or recycling) method consistent with local environmental regulations. Except as provided in Stratasys' standard conditions of sale, Stratasys shall not be responsible for any loss resulting from any use of its products described herein.

## COPYRIGHT STATEMENT

This document is protected by copyright. All rights reserved. Its use, disclosure, and possession are restricted by an agreement with Stratasys per software copyright. No part of this document may be photocopied, reproduced or translated into another language without the prior written consent of Stratasys, Inc.

All drawings and information herein are the property of Stratasys Inc. All unauthorized use and reproduction is prohibited.

## TRADEMARK ACKNOWLEDGMENTS

Stratasys, uPrint, and FDM are registered trademarks of Stratasys, Inc.

CatalystEX, FDM Technology, Smart Supports, and ABS*plus* are trademarks of Stratasys, Inc.

All other product names and trademarks are the property of their respective owners, and Stratasys assumes no responsibility with regard to the selection, performance, or use of these non-Stratasys products. Product specifications subject to change without notice.

# TABLE OF CONTENTS

<b>1 INTRODUCTION</b>	<b>1</b>
HOW TO USE THIS GUIDE	1
LEARN MORE	1
SAFETY PRECAUTIONS	2
<b>2 OVERVIEW</b>	<b>4</b>
FINDING MORE INFORMATION	10
<b>3 SETUP</b>	<b>11</b>
INSTALLING SOFTWARE	11
Installing CatalystEX	11
Installing system software to the workstation	11
NETWORKING THE PRINTER	11
Connecting through a network	11
Connecting directly to a workstation	11
ESTABLISHING NETWORK COMMUNICATION WITH THE PRINTER	12
Establishing communication on a dynamic network	12
Establishing communication on a static network	13
INSTALLING SYSTEM SOFTWARE ON PRINTER	15
ADDING THE SECOND MATERIAL BAY	16
Installing the Material Bay	16
<b>4 OPERATION</b>	<b>21</b>
DISPLAY PANEL AND KEYPAD	21
SYSTEM SOFTWARE OVERVIEW	22
CATALYSTEX OVERVIEW	23

PROCESSING YOUR STL FILE FOR PRINTING .....	24
Opening your STL file with CatalystEX.....	24
Selecting layer resolution .....	24
Selecting model interior fill style .....	24
Selecting support style .....	24
Selecting the scale of your STL file .....	25
Selecting the orientation of your STL file.....	25
Adding your STL file to the pack.....	25
Printing your STL file .....	26
BUILDING A PART .....	26
Starting a build from a remote location.....	26
Starting a build from the display panel .....	26
THE DISPLAY PANEL DURING BUILD .....	27
CHAMBER LIGHTS .....	27
PAUSING A BUILD .....	28
RESUMING AFTER PAUSE .....	28
CANCELING A BUILD .....	28
REMOVING A COMPLETED PART .....	29
Remove a part from the modeling base .....	29
REMOVING SUPPORT MATERIAL .....	30
Emptying the purge bucket.....	30
REPLACING MATERIAL FOR SINGLE MATERIAL BAY.....	31
REPLACING MATERIAL FOR DUAL MATERIAL BAYS.....	32
MATERIAL BAY LEDS.....	33
REPLACING MATERIAL SPOOLS.....	33
Removing a spool of material from the carrier.....	33
STORING MATERIAL SPOOLS .....	33
AUTO POWER DOWN .....	35
Canceling auto power down .....	35
POWERING OFF .....	36
RESUMING OPERATIONS FROM STANDBY MODE .....	36
UPDATING PRINTER SYSTEM SOFTWARE.....	36
Installing the system software .....	36

<b>5</b>	<b>MAINTENANCE</b>	<b>37</b>
	STARTUP KIT TOOLS	37
	PREVENTIVE MAINTENANCE	37
	Daily	37
	500 HOUR MAINTENANCE	38
	Tip wipe assembly	38
	Tip shield replacement	40
	Remove debris from the Filament Present switch	43
	2000 HOUR MAINTENANCE	44
	Tip replacement and calibration	44
	Chamber light bar replacement	50
<b>6</b>	<b>TROUBLESHOOTING</b>	<b>51</b>
	TROUBLESHOOTING	51
	FAULT DETERMINATION CODES	52
	EXPORTING PRINTER CONFIGURATION (.CFG) FILE	53
	Exporting configuration file from printer	53
	CYCLING POWER	53
	DIAGNOSING LOSS OF EXTRUSION	53
	CLOGGED TIP	55
	Material Jam	56
	RECOVERING FROM LOSS OF EXTRUSION	58
<b>7</b>	<b>SUPPORT</b>	<b>62</b>
	REGISTRATION	62
	CUSTOMER SUPPORT	62
<b>8</b>	<b>RECYCLING</b>	<b>63</b>
	RECYCLING CODES	63
	REMOVING THE EEPROMS FROM THE MATERIAL GUIDES	64
	REMOVING THE DESICCANT FROM THE MATERIAL SPOOL	64

<b>9</b>	<b>PRINTER SPECIFICATIONS .....</b>	<b>65</b>
	PHYSICAL SPECIFICATIONS.....	65
	FACILITY SPECIFICATIONS.....	65
	WORKSTATION SPECIFICATIONS.....	65
	POWER SPECIFICATIONS.....	66
	ENVIRONMENTAL SPECIFICATIONS .....	66
	ACOUSTIC SPECIFICATIONS.....	66
<b>10</b>	<b>SUPPLEMENTAL INFORMATION .....</b>	<b>67</b>
	UNINTERRUPTIBLE POWER SUPPLY .....	67
	Use and Installation .....	67
	General Information.....	67
	Parts List – Cable, UPS to 3D Printer.....	68
	DECLARATION OF CONFORMITY.....	70
	REGULATORY AND ENVIRONMENTAL INFORMATION.....	71
	EMC Class A Warning.....	71
	FCC Statements (U.S.A.) .....	71
	Canada Electromagnetic compatibility (EMC) .....	71
	MSDS (Material Safety Data Sheet).....	71
	Disposal of waste equipment by users in private households in the European Union .....	72

# 1 INTRODUCTION

uPrint® SE and uPrint® SE Plus are designed with ultimate simplicity in mind. The printer enables you to build parts quickly and easily, even if you've never used a 3D printer before.

The printers build models with *ABSplus™* material so parts are strong and durable. *ABSplus* material also ensures you will be able to drill, tap, sand and paint your creations. With Soluble Support Technology (SST), your completed parts are quickly available for review and test. uPrint SE and uPrint SE Plus are an innovative combination of proprietary hardware, software and material technology.

## HOW TO USE THIS GUIDE

This User Guide is laid out in easy to follow sections which cover Set-up, Operation, Maintenance, and Troubleshooting. Read each section carefully so that you will get the best performance from your printer.

Throughout this User Guide, text representing **Interface Messages** that appear on the display panel are presented in a bold font.

## LEARN MORE

An electronic User Guide is available on the startup CD. This guide provides information on the following topics:

- Troubleshooting information
- Important safety notices and regulatory information
- Information about supported printing supplies
- Detailed user instructions

# SAFETY PRECAUTIONS

The following precautions ensure the proper use of the printer and prevent the printer from being damaged. Follow these precautions at all times.

- Use the power supply voltage specified on the nameplate. Avoid overloading the printer's electrical outlet with multiple devices.
- Ensure the printer is well-grounded. Failure to ground the printer may result in electrical shock, fire and susceptibility to electromagnetic interference.
- Before disassembling or repairing the printer yourself, contact your local Service Representative. See Support section of User Guide.
- Use only the power cord supplied with the printer. Do not damage, cut or repair the power cord. A damaged power cord has risk of fire and electric shock. Replace a damaged power cord with an approved power cord.
- Do not allow metal or liquids to touch the internal parts of the printer. Doing so may cause damage, fire, electric shock or other serious hazards.
- Power off the printer and disconnect the power cord from the power outlet in any of the following cases:
  - If there is smoke or an unusual smell coming from the printer.
  - If the printer is making an unusual noise not heard during normal operation.
  - A piece of metal or a liquid touches the internal parts of the printer.
  - During an electrical (thunder/lightning) storm
  - During a power failure

The following classifications are used throughout this guide.



**Caution:** Indicates a potentially hazardous situation which, if not avoided, may result in minor or moderate injury.

---



**Warning:** Indicates a potentially hazardous situation which, if not avoided, could result in serious injury.

---



**Hot Surface:** The hot surface sign indicates the presence of devices with high temperatures. Always use extra care, and wear safety gloves, when working around heated components

---



**Gloves:** When performing some maintenance procedures, the machine may be hot and gloves will be required to avoid burns.

---



**Safety Glasses:** Wear safety glasses to avoid injury to your eyes.

---





**Lifting Hazard:** Lift with two or more people to avoid serious injury.

---



**Recycle:** Use proper recycling techniques for materials and packaging.

---



**ESD  
Sensitive!**

**ESD:** Use standard electrostatic discharge (ESD) precautions when working on or near electrical components.

---

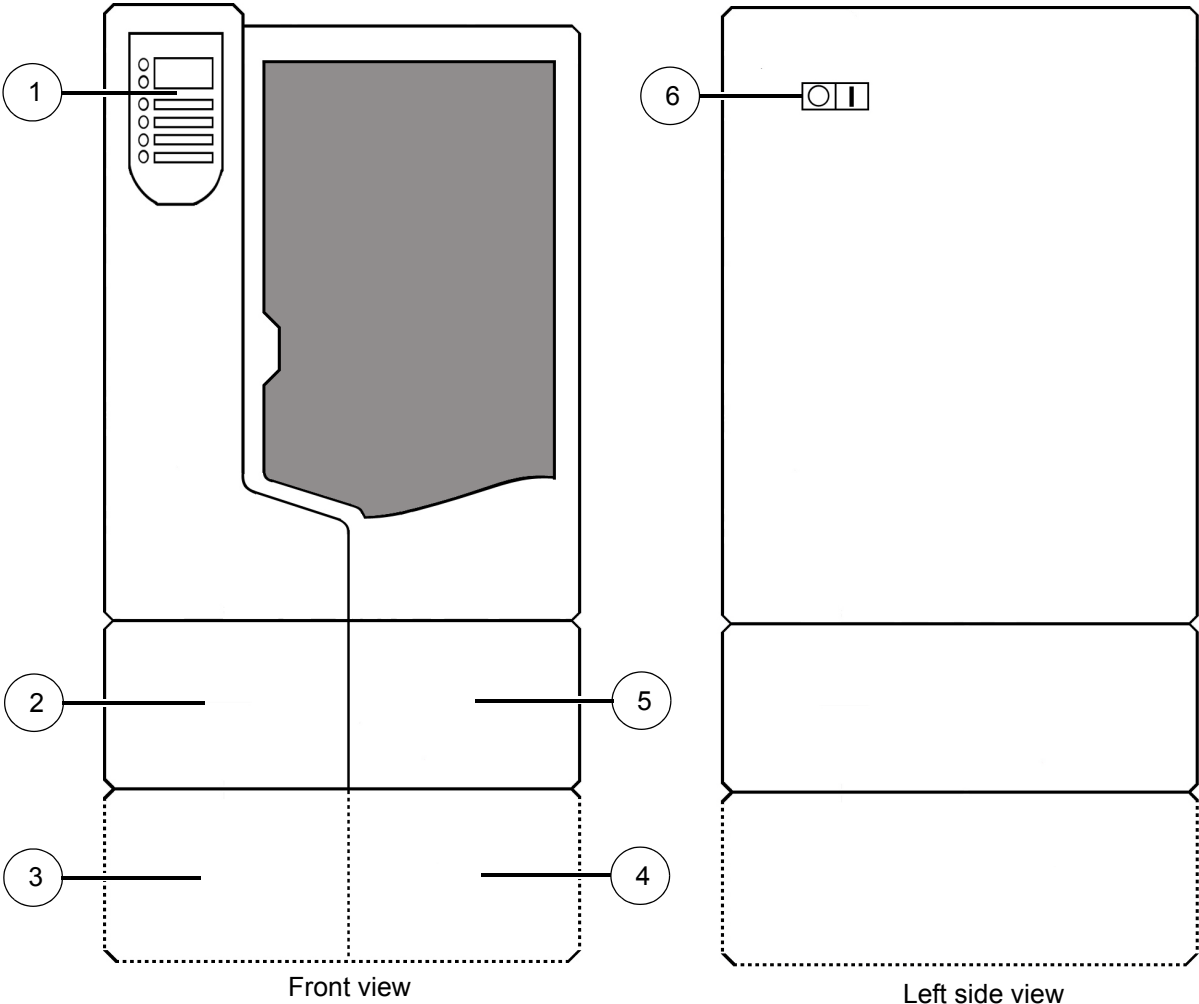
## 2 OVERVIEW

uPrint SE and uPrint SE Plus build models from CAD STL files. The printer builds three-dimensional parts by extruding a bead of ABS material through a computer-controlled extrusion head, producing high quality parts that are ready to use immediately after completion.

uPrint SE and uPrint SE Plus consist of two primary components — the 3D printer and material bay. Catalyst®EX is the preprocessing software that runs on Windows Vista or Windows 7 platforms.

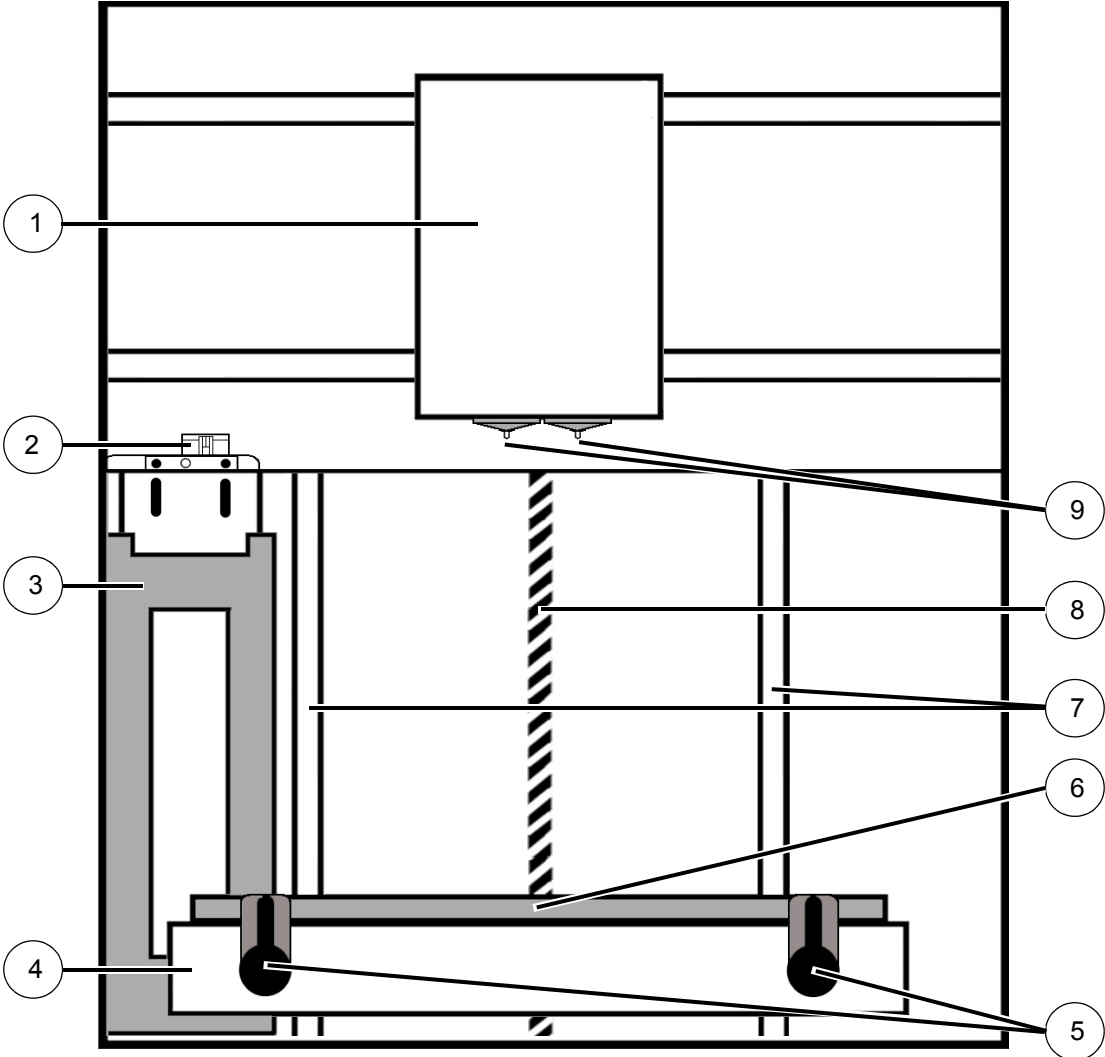
uPrint SE builds a maximum part size of 203 x 152 x 152 mm (8 x 6 x 6 in). uPrint SE Plus builds a maximum part size of 203 x 203 x 152 mm (8 x 8 x 6 in). Each material carrier contains 688 cc (42 cu. in.) of usable material — enough to build continuously for about 67 hours without reloading. You can add an optional second material bay for extended build times.

Figure 2-1: Front and left side view of printer.



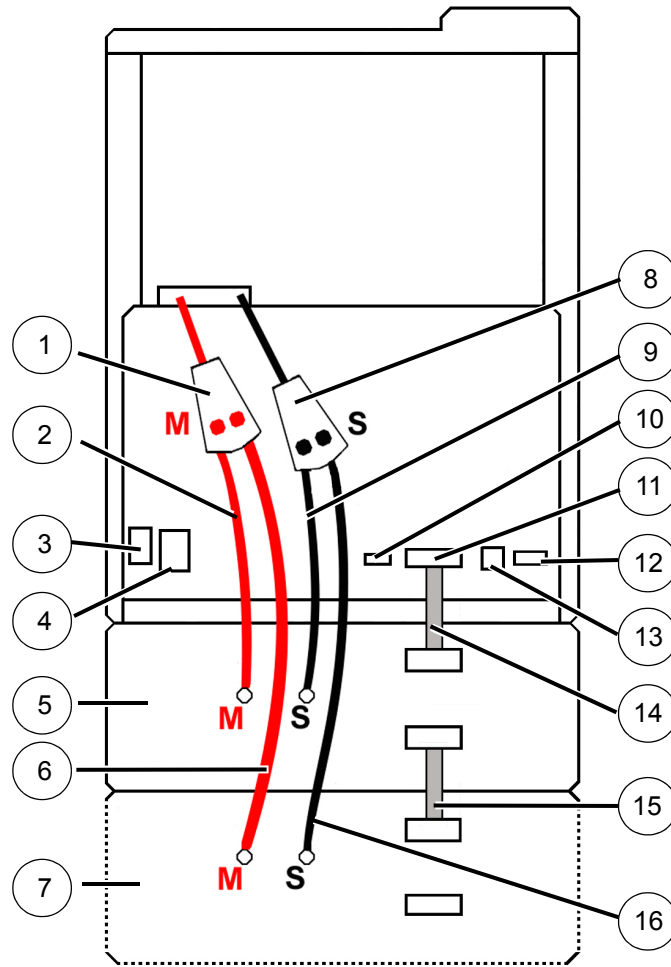
1	Display Panel
2	Material Bay, Support Side
3	Optional Material Bay, Support Side
4	Optional Material Bay, Model Side
5	Material Bay, Model Side
6	Power ON/OFF Switch

Figure 2-2: Interior chamber - front view



1	Extrusion Head
2	Tip wipe assembly
3	Purge bucket
4	Z stage platen
5	Modeling base retainers (x2)
6	Modeling base
7	Z stage guide rods
8	Z stage lead screw
9	Extrusion Tips

Figure 2-3: Rear view of printer



1	Model Material Y Connector	9	Support Material Tube
2	Model Material Tube	10	UPS Connection
3	AC Power Cord Connector	11	Material Bay Cable Connector
4	Circuit Breaker	12	RJ-45 Network Connector
5	Material Bay	13	Diagnostics Cable Connector
6	Optional Model Material Tube	14	Material Bay Communications Cable
7	Optional Material Bay	15	Optional Material Bay Communications Cable
8	Support Material Y Connector	16	Optional Support Material Tube



**Note:** To avoid damage to the printer from an uncontrolled power loss, installation of a UPS (Uninterruptible Power Supply) is recommended.

Figure 2-4: Material carriers

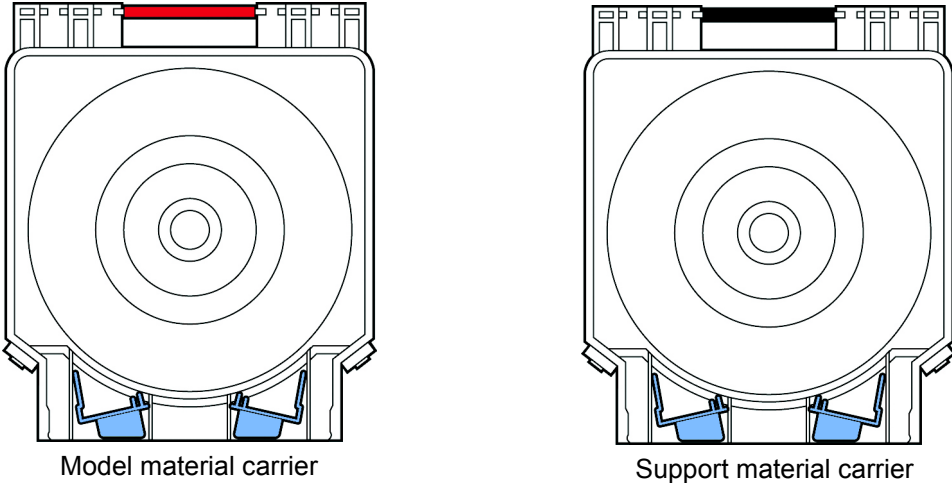
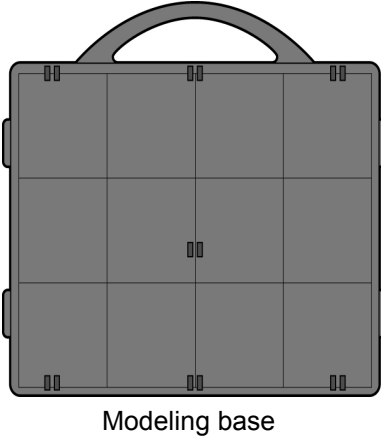



Figure 2-5: Modeling base

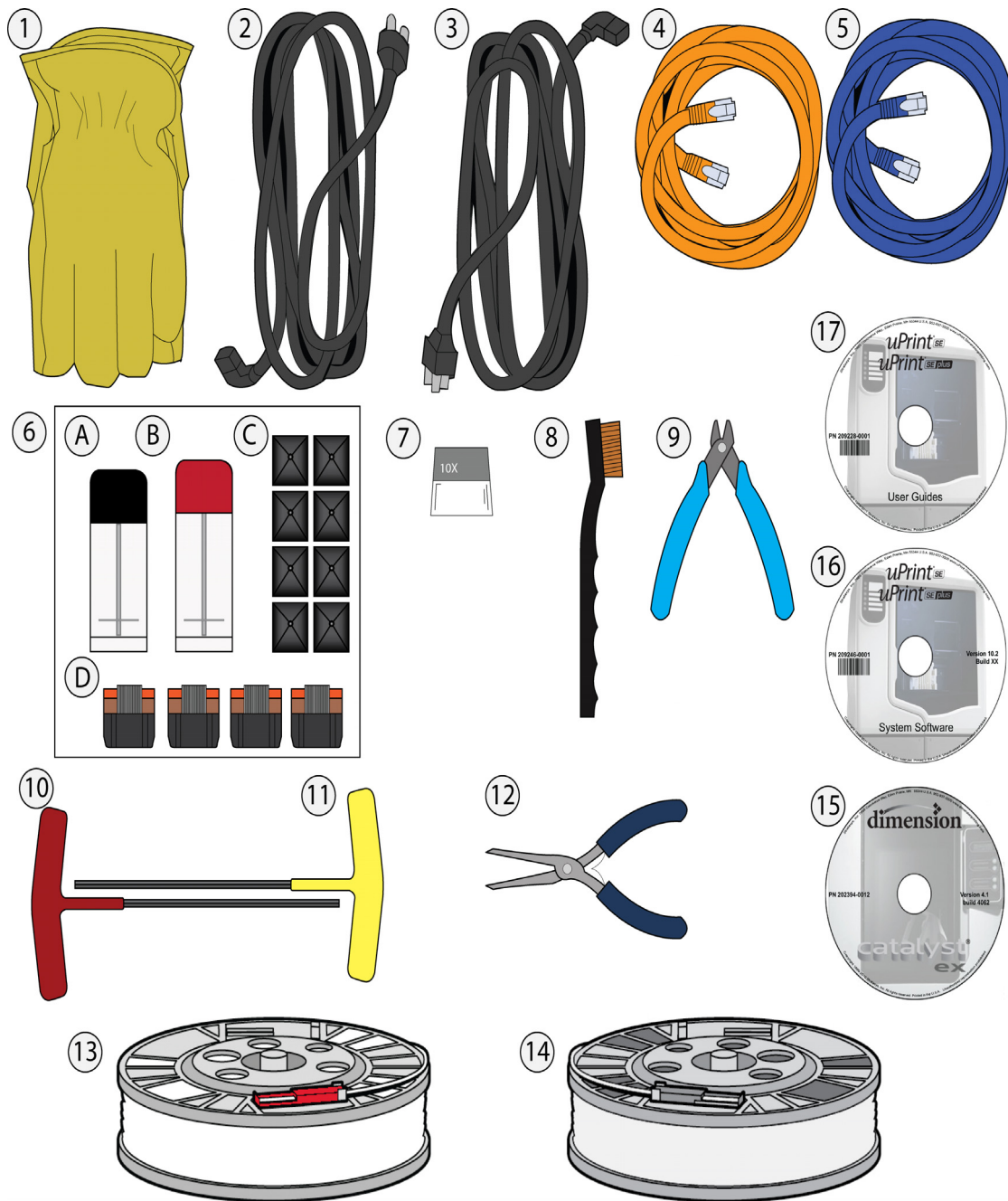


---

 **Caution:** DO NOT reuse modeling bases. If a modeling base is reused, calibration errors, poor part quality, and loss of extrusion may occur. Additional modeling bases are available from your reseller.

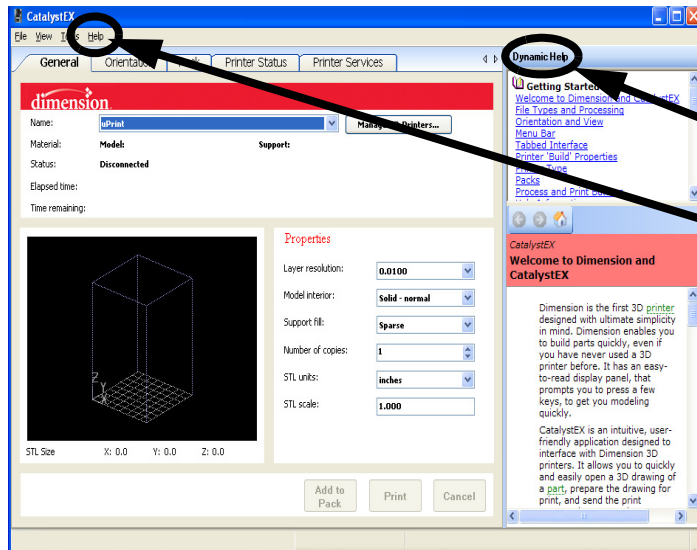
---

Figure 2-6: Startup supplies



1	Gloves	10	1/8 inch T-Handle wrench (red)
2	Power cord (Euro)	11	7/64 inch T-Handle wrench (yellow)
3	Power cord (US)	12	Needle nose pliers
4	Crossover cable (orange)	13	Model material spool
5	Network cable (blue)	14	Support material spool
6	Tip replacement kit (A. Support tip B. Model tip C. 8 Tip shields D. 4 Tip wipe assemblies)	15	CatalystEX CD
7	10x magnifier loupe	16	System Software CD
8	Wire brush	17	User Guide CD
9	Cutters	18	Modeling base (6)

# FINDING MORE INFORMATION



CatalystEX Online Help

Simple operating instructions for CatalystEX are available in CatalystEX Dynamic Help. You can also see CatalystEX Help from the menu bar - **Help>Contents**

World Wide Web

Additional information is available at:  
<http://www.stratasys.com>



# 3 SETUP

Set up the printer and material bay(s) per assembly instructions included with printer.

## INSTALLING SOFTWARE

There are two software programs that work with uPrint SE and uPrint SE Plus:

1. CatalystEX, installed on your workstation, processes the STL files for printing and communicates with the printer from your workstation.
2. System software, the operating software installed on the printer, controls printer functions.

## INSTALLING CATALYSTEX

To install CatalystEX:

1. Locate the CatalystEX CD from startup kit and insert into workstation (PC).
2. Click the **Install CatalystEX:** button.
3. Follow prompts to finish loading CatalystEX on the workstation.

## INSTALLING SYSTEM SOFTWARE TO THE WORKSTATION

To install system software:

1. Locate the System Software CD from startup kit and insert into workstation (PC).
2. Click the **Install software** button to load system software to your workstation. You will be asked to load this system software to your printer later.
3. Follow prompts to finish installing system software on the workstation.
4. Install system software to the printer, see [“Installing System Software on printer”](#) on page 15.

## NETWORKING THE PRINTER

There are two methods of connecting your printer to your workstation, over a network or with a direct connection to your workstation.

### CONNECTING THROUGH A NETWORK

1. Locate the network cable (blue) from the startup kit.
2. Connect the network cable between the printer and the network hub.
3. Establish communication, see [“Establishing communication on a dynamic network”](#) on page 12 if you have a dynamic network, or [“Establishing communication on a static network”](#) on page 13 if you have a static network.

### CONNECTING DIRECTLY TO A WORKSTATION

1. Locate the crossover cable (orange) from the startup kit.
2. Connect the crossover cable between the printer and the network port on your workstation.
3. Establish communication, see [“Establishing communication on a static network”](#) on page 13.

# ESTABLISHING NETWORK COMMUNICATION WITH THE PRINTER

You will need to establish network communication between your workstation and printer before you can send files to be built. How you establish this communication with an IP address is dependent upon how your network and workstation are configured. If your network is configured for DHCP (Dynamic Host Configuration Protocol), your DHCP server will automatically assign a Dynamic IP address to your printer. This is the default setting for your printer and commonly used in large networks. In some situations you may need to manually enter a Static IP address for your printer and record the IP address in the CatalystEX software. Static IP addresses are frequently used for smaller networks or for direct connection between your workstation and printer. Follow the instructions below to configure your workstation and network.

## ESTABLISHING COMMUNICATION ON A DYNAMIC NETWORK

If you are on a dynamic network (or not sure of your network type) follow these steps to allow CatalystEX to find your printer and establish communication.

1. Connect a network cable between the printer and a network hub.
2. Make sure the printer is ON and determine the Unique Device Name (UDN) for your printer.
  - A. From **Idle** (or **Ready to Build**), press **Maintenance** on the display panel. The display will show **Maintenance** and the software version.
  - B. From the display panel press **System**.
  - C. From the display panel press **Set Network**. The top window will display: **Network Admin - Dynamic IP Address; UDN**.
3. The Unique Device Name (UDN) for your printer is listed here. This is preset at the factory and cannot be changed.
4. From your workstation, start the CatalystEX.
5. From the **General** tab, click the **Manage 3D Printers** button.
6. Click the **Add from Network** button in the lower right corner of the window.
7. A new window, **Add 3D Printer**, should list your printer in the main window (identified by its UDN). Click on the printer in this window and enter a name and location in the lower portion of the window.
8. Click **Add Printer** and you are ready to print. Close the **Add 3D Printer** window.



**Note:** If your printer is not displayed in the “Add 3D Printer” window, you are not using a dynamic network and you will need to set up a static network address.

---

# ESTABLISHING COMMUNICATION ON A STATIC NETWORK

If you are using a static network or connecting the printer directly to a workstation, you will need to enter the static IP address information into the workstation and the printer. If you are using a static network and your computer already has network access, see [“Setting the static network on printer” on page 14](#).

1. Set the static IP address information in the workstation:
  - For Windows Vista, see [“Setting the static network in Windows Vista” on page 13](#).
  - For Windows 7, see [“Setting the static network in Windows 7” on page 13](#).
2. Set the static IP address information in the printer, see [“Setting the static network on printer” on page 14](#).
3. Establish communication, see [“Establish communication” on page 14](#).

## SETTING THE STATIC NETWORK IN WINDOWS VISTA

1. From your workstation click on the **Start Menu**.
2. Click on the **Control Panel** button.
3. Double click on **Network and Internet**.
4. Double click on the **Network and Sharing Center** icon.
5. Left click on **Manage network connections**.
6. Right click on the **Local Area Connection** icon then left click on **Properties**.
7. Select **Internet Protocol Version 4 (TCP/IPv4)** from the list.
8. Click on the **Properties** button.
9. Click on the **Use the following IP address** option.
10. Enter the IP address, Subnet Mask and Default Gateway. Contact your IT Administrator or Internet Service Provider for details regarding IP address information. The IP address should be different from the workstation, the default gateway and subnet mask should match the workstation. Enter the IP address, default gateway and subnet mask.
11. Click on the **OK** button when finished. Close any open networking windows.

## SETTING THE STATIC NETWORK IN WINDOWS 7

1. From your workstation click on the **Start Menu**.
2. Click on the **Control Panel** button.
3. Double click on **Network and Internet**.
4. Double click on the **Network and Sharing Center** icon.
5. Double click **Local Area Connection**.
6. Click on the **Properties** button.
7. Select **Internet Protocol Version 4 (TCP/IPv4)** from the list.
8. Click on the **Properties** button.
9. Click on the **Use the following IP address** option.
10. Enter the IP address, Subnet Mask and Default Gateway. Contact your IT Administrator or Internet Service Provider for details regarding IP address information. The IP address should be different from the workstation, the default gateway and subnet mask should match the workstation. Enter the IP address, default gateway and subnet mask.
11. Click on the **OK** button when finished. Close any open networking windows.

## SETTING THE STATIC NETWORK ON PRINTER

1. Obtain your static network address from your Network Administrator.
2. From **Idle** (or **Ready to Build**), press **Maintenance** on the display panel. The display will show **Maintenance** and the software version.
3. Press **System**.
4. Press **Set Network**. The top window displays: **Network Admin - Static IP Address; UDN**.
5. Press **Static IP** to display default settings.

IP Address: 172.016.075.020 or 198.000.000.001  
NM Address: 255.255.000.000  
GW Address: 172.018.100.002



**Note:** These values are the factory defaults and **MUST** be changed. If these values are not changed the printer will continue to restart until they are changed.



**Note:** The IP address should be different from the workstation, the default gateway and subnet mask should match the workstation. Enter the IP address, default gateway and subnet mask.

6. Update the IP address:
  - Press **Increment** to increase the value one digit at a time.
  - Press **Next Digit** to move the cursor one place to the right.
  - Press **Last Digit** to move the cursor one place to the left.
7. Use the three functions listed above to set your IP address.
8. After setting the final digit of the Internet Protocol (IP) address, move the cursor one more place to the right. The cursor moves to the Netmask (NM) address. Follow the same steps for setting the Netmask (NM) and Gateway (GW) addresses.
9. When you have finished setting the addresses, press **Done**. The display will show: **Change IP, Netmask and Gateway?**.
10. Press **Yes**. The panel then displays **Resetting Network..**
11. Press **Done** until **Idle** is displayed.

## ESTABLISH COMMUNICATION

1. From your workstation, start CatalystEX.
  - A. From the **General** tab, click the **Manage 3D Printers** button.
  - B. Click the **Add from Network** button in the lower right corner of the window.
  - C. A new window, **Add 3D Printer**, should list your printer (identified by its UDN). Click on the printer in this window and enter a name and location of your choice in the lower portion of the window.
  - D. Click **Add Printer** to complete. Close the **Add 3D Printer** window.
2. If your printer is not displayed in the **Add 3D Printer** window, you will need to add the printer IP address manually.
  - A. From the **General** tab, click the **Manage 3D Printers** button.
  - B. Click the **Add Manually** button in the lower right corner of the window.
  - C. In the **Add 3D Printer** window, enter a name and location of your choice in the appropriate fields.

- D. Enter the IP Address for your printer in the appropriate field. It will be the same address as entered in step 6.
- E. Select your printer type from the drop down list, either uPrint SE or uPrint SE Plus.



---

**Note:** If you only have one printer connected, it will be the only printer in the list.

---

- F. Click **Add Printer** and close the **Add 3D Printer** window.
3. If you are unable to connect the printer to your workstation, contact your Network Administrator.

## INSTALLING SYSTEM SOFTWARE ON PRINTER

1. From the display panel, press **Maintenance**.
2. Press **System**.
3. Press **Load Upgrade**. “**Send upgrade from workstation**” and the printer IP address will be displayed.
4. From your workstation, open the CatalystEX by double clicking on the CatalystEX icon.
5. Click the **Printer Services** tab.
6. Select your printer from the drop down list then click the **Update Software** button.
7. Navigate CatalystEX to the directory where the system software file is located and select the uPrintSE.upg file for uPrint SE or select the uPrintSEPlus.upg file for uPrint SE Plus. System software will now begin to download to the printer.



---

**Note:** Default uPrint SE system software location for 32 bit systems:

**C:\Program Files\Dimension\uPrint SE<version>**

Default uPrint SE system software location for 64 bit systems:

**C:\Program Files (x86)\Dimension\uPrint SE <version>**

Default uPrint SE Plus system software location for 32 bit systems:

**C:\Program Files\Dimension\uPrint SE Plus <version>**

Default uPrint SE Plus system software location for 64 bit systems:

**C:\Program Files (x86)\Dimension\uPrint SE Plus <version>**

---

8. When system software verification is complete, the printer display will show **Reboot to complete upgrade?** Press **Yes**. The printer will then load the system software then reboot and return to **Idle**.



---

**Note:** Loading system software will take approximately 10 minutes.

---

# ADDING THE SECOND MATERIAL BAY

You have the option of adding a second material bay to extend printing times without having to reload material while the model is printing.

## INSTALLING THE MATERIAL BAY

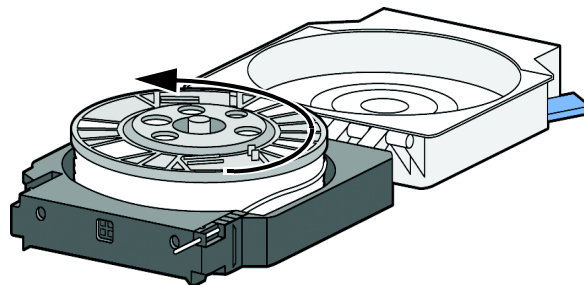
1. Remove the Material Bay, material bay cable, material spools and material carriers from the box.
2. Unload the model and support material from the printer.
3. Open the material bay doors by gently pressing in to release and pulling outwards.
4. Remove the material carriers by first pushing them in to unlatch and then pulling them outwards.
5. Place the carriers on a flat stable surface.



**Caution:** Do not push the material through the material guide back into the carrier, doing so can cause material to break or become tangled.

6. Open the carriers.
7. Rotate the spools to rewind the material, leaving 2 inches (50mm) remaining at the material guide. See [Figure 3-1](#).

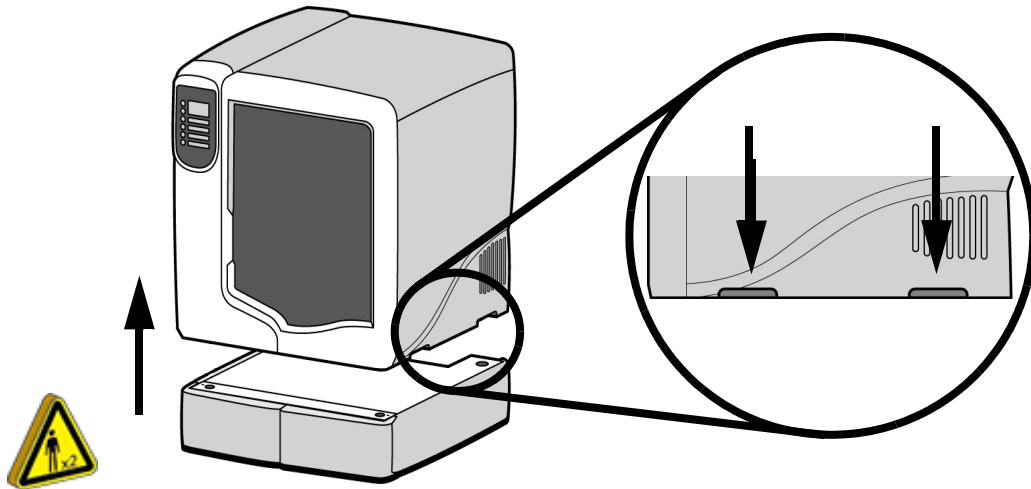
[Figure 3-1](#): Rewinding the material spool



8. Using a cutters, cut the excess 2 inches (50mm) of material from the material guide. leaving a blunt end.
9. Power the printer off at the power switch.
10. When the display is blank and the printer has shut down, turn the circuit breaker to the OFF position.
11. Disconnect the power cable, network cable, material bay cable and UPS cable if used.
12. Disconnect the model and support material tubes from the printer and the material bay by pressing in on the coupler ring and pulling the tubes outward.

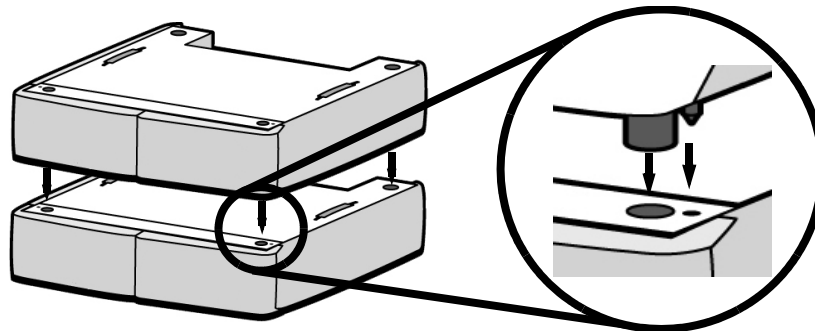
13. With 2 people, use the hand grips to lift the printer off of the material bay and place on a flat stable surface. See [Figure 3-2](#).

Figure 3-2: Separating the printer and material bay



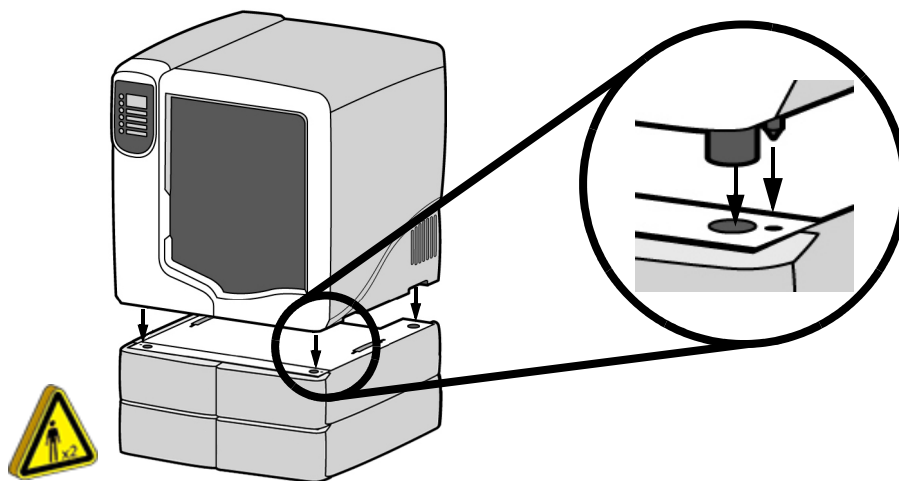
14. Position the second material bay on top of the existing material bay. Be sure the feet and pins are properly aligned. See [Figure 3-3](#).

Figure 3-3: Positioning material bays



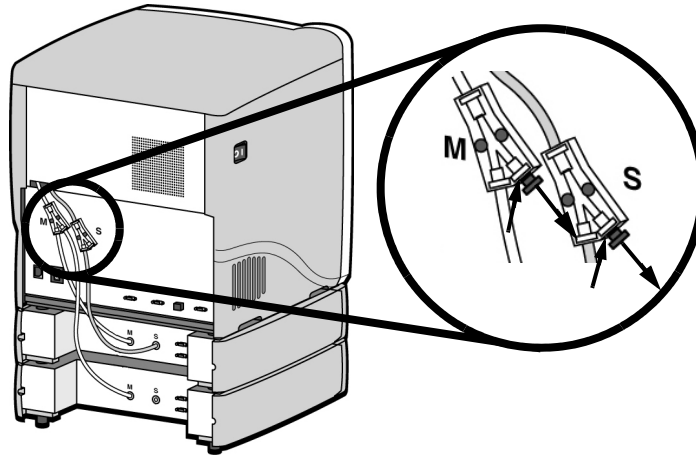
15. With 2 people, position the printer on to the top of the material bays. Be sure the feet and pins are properly aligned. See [Figure 3-4](#).

Figure 3-4: Positioning printer



16. Remove the black plugs from the model and support Y blocks by pushing in on the coupler rings and pulling outward.

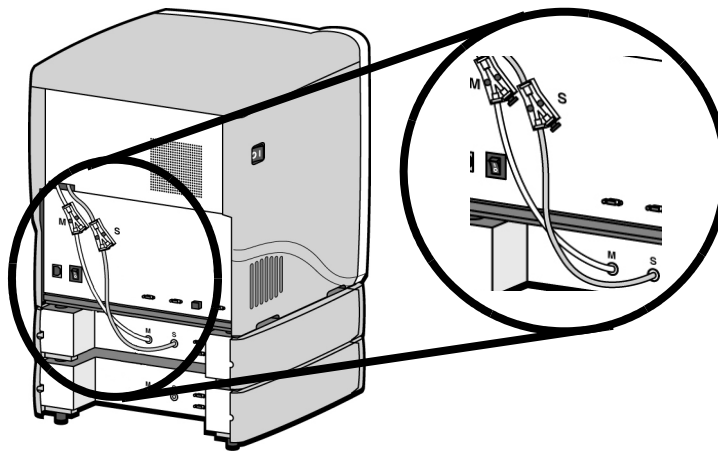
Figure 3-5: Removing the Y block plugs



17. Connect the short red striped material tube (M1) from model (M) coupler of upper material bay to **left** side of model Y block by inserting firmly into red couplers. Gently pull the tube to ensure it is properly inserted.

18. Repeat with the short black striped (S1) material tube for support side. See Figure 3-6.

Figure 3-6: Connecting the short material tubes

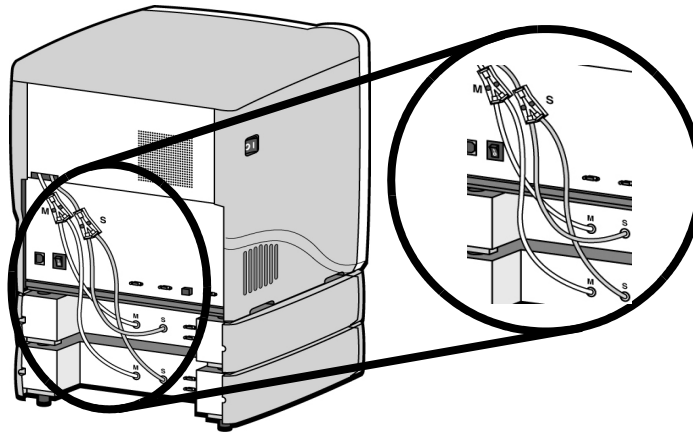


19. Connect the long red striped material tube (M2) from model (M) coupler of lower material bay to **right** side of model Y block by inserting firmly into red couplers. Gently pull the tube to ensure it is properly inserted.

20. Repeat with long black striped (S2) material tube for support side. See Figure 3-7.

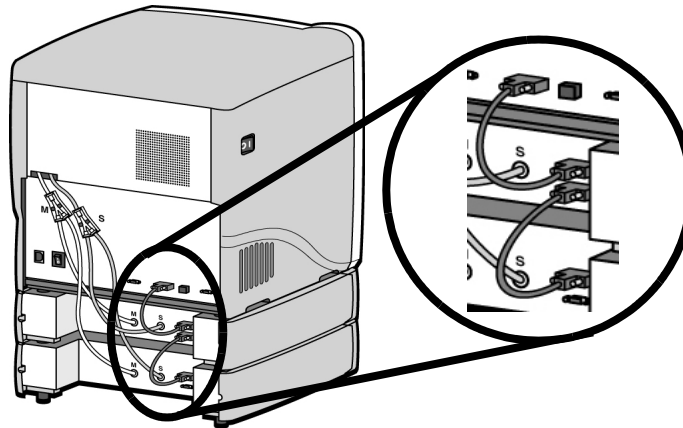


Figure 3-7: Connecting the long material tubes



21. Connect a material bay cable between the printer and the top connector on the upper material bay.
22. Connect the other material bay cable between the bottom connector of the upper material bay to the top connector of the lower material bay. See [Figure 3-8](#).

Figure 3-8: Connecting the material bay cables



23. Connect the power cable, network cable and UPS cable if used.
24. Switch the circuit breaker to the ON position.
25. Power the printer ON at the power switch.
26. After the printer has booted up, you may need to reload the printer system software. If the printer displays “**Send Upgrade from Workstation**”, see “[Updating printer system software](#)” on page 36.
27. Insert model and support material spools into the new material carriers.
28. From display panel press **Material**. Display will show **Add/Remove**.
29. Open material bay doors and push both red handled model carriers into right side of the material bays until they latch.
30. Push both black handled support carriers into left side of the material bays until they latch.
31. Press **Load Selected**. The printer will load the first material bay and prepare the second material bay for automatic loading. When the printer has finished loading material, S1 and M1 will be marked with asterisks. All material bay LED’s will be solid.



**Note:** Material may take up to ten minutes to load.

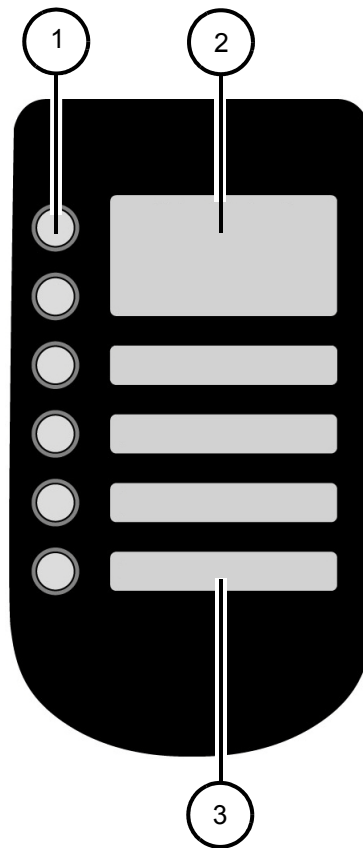
32. When finished loading material press **Done**. Display will show **Idle** and amount of material remaining for model and support in both material bays.

# 4 OPERATION

## DISPLAY PANEL AND KEYPAD

The main user interface for the printer is the display panel and keypad. See [Figure 4-1](#).

Figure 4-1: Display panel and keypad



1	Keypad buttons
2	Main display window
3	Lower display windows

The uPrint SE and uPrint SE Plus display panel and keypad consist of a multiple-line LCD window with two buttons used for scrolling through messages and four single-line windows, each with one button for making selections. The top line in the upper window always shows the printer status.

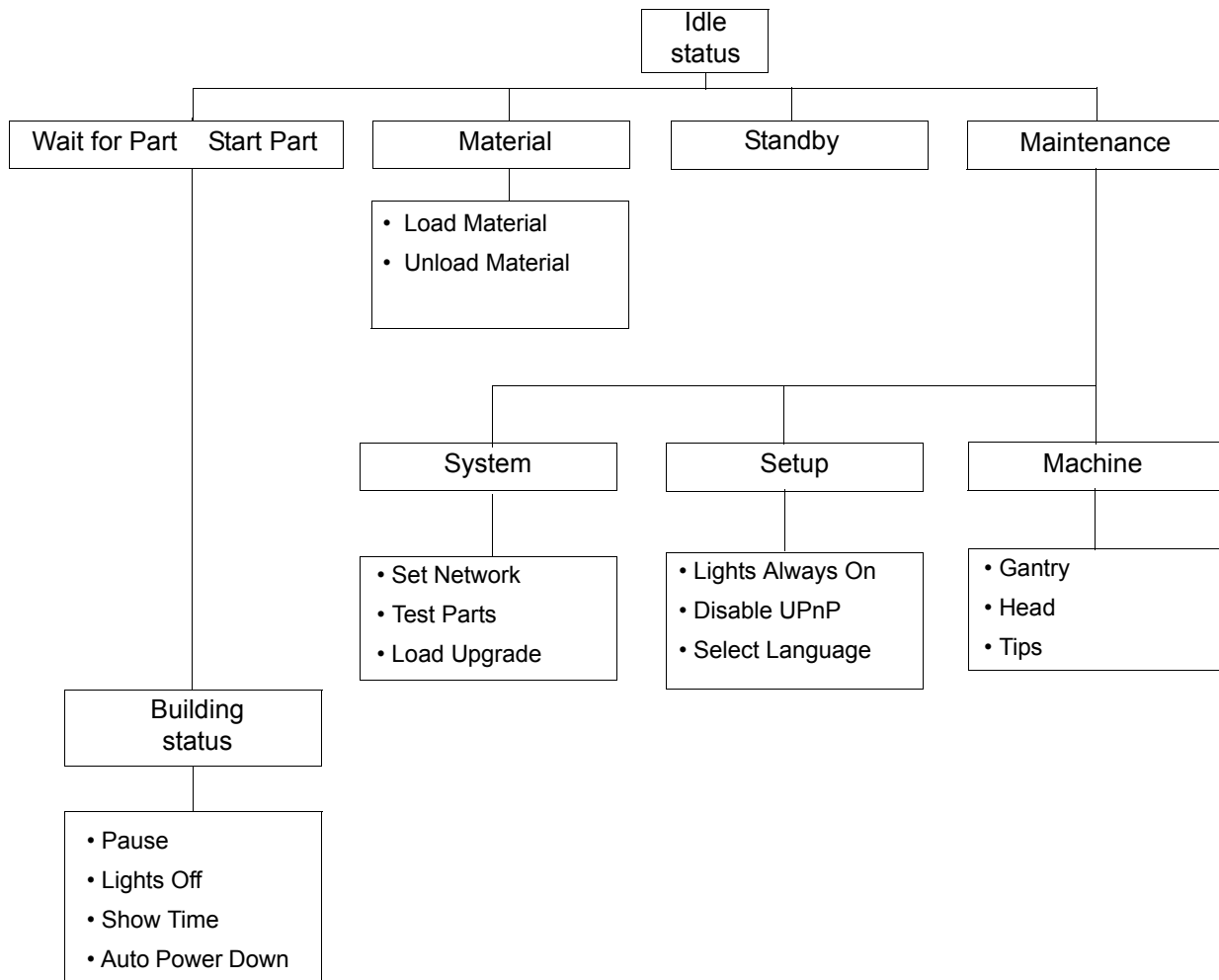


**Note:** If an item is blinking in the lower displays, the blinking item is usually the next most logical selection.

# SYSTEM SOFTWARE OVERVIEW

- **Idle:** If there is no part being built and no part in the build queue, the display will show that the printer is **Idle**.
- **Wait for Part** or **Start Part:** If the printer is in Idle and the build queue is empty, you can set it to wait for a part. If the printer has a part in the build queue, you can press **Start Part** to start a build.
- **Building:** If the printer is building a part, you can choose to pause, set the lights either ON or OFF, view the print time or material remaining and set the printer to auto power down.
- **Material:** From this section you can load material or unload material.
- **Standby:** From this section you can set the printer to Standby mode.
- **Maintenance:** From this section you can make changes to the **System, Setup** or **Machine**.

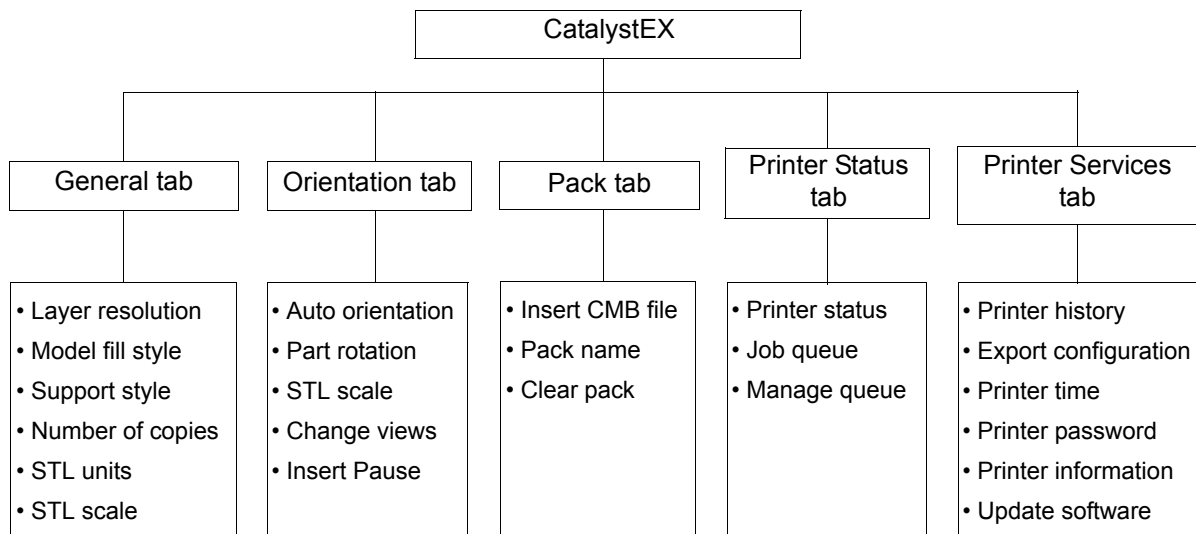
Figure 4-2: Display panel hierarchy



# CATALYSTEX OVERVIEW

- **General tab:** This section is where you can select the model fill, support style, change the STL units and STL scale.
- **Orientation tab:** This section allows you to rotate, resize and auto-orient your parts. You can also change the view and insert a pause.
- **Pack tab:** This section shows you which parts are in the pack for printing. You can add parts, arrange the parts for a better fit or clear the pack from this section.
- **Printer Status tab:** This section shows you the amount of material remaining (both model and support) as well as which parts are in the Build Queue.
- **Printer Services tab:** From this section you can check the printer history, set the printer time, set the printer password, update printer software, get printer info and export configuration files (files containing specific operating information regarding the printer).

Figure 4-3: CatalystEX hierarchy



**Note:** For detailed information refer to CatalystEX Dynamic Help.

# PROCESSING YOUR STL FILE FOR PRINTING

## OPENING YOUR STL FILE WITH CATALYSTEX

1. Create an STL file using your CAD software. Refer to your CAD software help section for more information about converting your CAD drawings into STL files.
2. Open the CatalystEX.
3. From the **File** menu select **Open STL....**
4. Navigate to and select the STL file that you have created.

## SELECTING LAYER RESOLUTION

Layer resolution can be changed on the uPrint SE Plus printer. Changing layer resolution will affect surface finish and build times. Selecting a smaller layer resolution creates a smoother surface finish, but takes longer to build. Layer resolution also affects the minimum wall thickness. Minimum wall thickness applies to the horizontal (XY) plane of your part. If a feature in an STL is smaller than the limit, the modeler will increase the size of the feature to the minimum wall thickness.

Printer type	Available layer resolutions	Minimum Wall thickness
uPrint SE	.010 inch (.254 mm)	.036 inch (.914 mm)
uPrint SE Plus	.010 inch (.254 mm) .013 inch (.3302 mm)	.036 inch (.914 mm) .047 inch (1.194 mm)

## SELECTING MODEL INTERIOR FILL STYLE

This establishes the type of fill used for the interior areas of the part. There are three types of model interior that you can choose from.

- **Solid** - Used when a stronger, more durable part is desired. Build times will be longer and more material will be used.
- **Sparse High Density** - This is the default model interior style and is highly recommended. Build times will be shorter, less material will be used and the possibility of part curl for geometries with large mass will be greatly reduced.
- **Sparse Low Density** - The interior will be “honeycombed” or “hatched”. This style allows for the shortest build times and lowest material usage but will decrease the strength of the part.

## SELECTING SUPPORT STYLE

Support material is used to support the model during the build process. It is removed when the part is complete. Support styles will affect the support strength and build time of the print. SMART support is the default support setting.

- **Basic** - May be used for most parts. Basic support uses a consistent spacing between support toolpaths.
- **SMART** - minimizes the amount of support material used, reduces the build time, and improves support removal for many parts. SMART supports use a wide spacing between toolpath rasters and change the shape of the support region. As the supports descend from the underside of the part feature to the base of the supports, the support region shrinks and transforms to a simpler shape to reduce the amount of material used and the build time. SMART supports are suitable for all parts, especially those with large support regions, and are the default style for builds using soluble supports.
- **Surround** - The entire model is surrounded by support material. Typically used for tall, thin models.

## SELECTING THE SCALE OF YOUR STL FILE

Before you process a part for printing, you can change the size of the part within the build envelope. Every part has a pre-defined size within the STL file. After you have opened the file you can change the size of the part produced from the STL file by changing the scale. The scale always relates to the original STL file size definition.

For example: a cube that is defined as 2 X 2 X 2 can be built to be 4 X 4 X 4 by simply changing the scale to 2.0. If after changing the scale to 2.0, you decide that a size of 3 X 3 X 3 would be preferred, change the scale to 1.5 - the scale relates to the original size of 2.0, NOT the resulting 4.0 from the first scale change.

Click within the scale input box to type a scale of your choice.

## SELECTING THE ORIENTATION OF YOUR STL FILE

The Orientation tab has an expanded preview window. It provides options for viewing a part, measuring a part, orienting a part, processing a part and viewing the layers of a part. How a part is oriented in the preview window will determine how the part is oriented when it prints.

Orientation impacts build speed, part strength, surface finish and material consumption. Orientation can also affect the ability of CatalystEX to repair any problems with the STL file.

You can choose to auto orient your part, which allows CatalystEX to determine the best orientation for the part for the fastest build time and least material usage, or you can manually change the orientation of your part.

Orientation Considerations:

- **Build Speed** - Closely related to material use. A lesser amount of supports will allow for a faster build speed.

Another factor affecting build speed is the axis orientation. The printer can build faster across the X-Y plane than it can along the Z axis. Orienting a part so that it is shorter within the modeling envelope will produce a quicker build.

- **Part Strength** - A model is stronger within a layer than it is across layers. Depending upon what features you want your part to demonstrate, you may need to orient your part to have its greatest strength across a specific area. For example a tab that needs to be pressed would be weakest if you are applying pressure across layers.
- **Surface Finish** - Much like orienting for strength, how the part is oriented will determine how the surface finish will look and allow the printer to provide the smoothest finish for a specific area. For example, if building a cylinder, orienting the cylinder upright will have a smoother surface finish than building it on its side.
- **STL File Repair** - It is possible for an STL file to have errors while appearing to be trouble free. If the STL file contains errors, CatalystEX may have problems processing the file. CatalystEX has the ability to automatically correct some STL file errors. How the part is oriented can impact this automated repair function.

## ADDING YOUR STL FILE TO THE PACK

The **Add to Pack** button is found on the General, Orientation and Pack tabs.

When you click on the **Add to Pack** button, CatalystEX will add the file that is currently in the preview window (General tab or Orientation tab) to the pack preview window (Pack tab).

If the file in the preview window has not been processed for printing, processing will occur before the file is added to the pack. Each additional click of the **Add to Pack** button will add another copy of the file to the pack.

## PRINTING YOUR STL FILE

The **Print** button is found on the General, Orientation and Pack tabs.

CatalystEX will now process all parts in the pack and create a CMB file from which the printer will print the parts.

## BUILDING A PART

If a part has not been sent to your printer for building, the build queue will be empty. If the build queue is empty the display panel will show **Idle** or **Ready to build**.

Choose whether or not you want to start a build from a remote location or from the display panel at the printer.

### STARTING A BUILD FROM A REMOTE LOCATION

The lower display will show **Wait for Part** and it will be flashing.

1. From the display panel press **Wait for Part**. The display will ask **Is Model Base Installed?**
2. Insert a modeling base.



**Caution:** DO NOT reuse modeling bases. If a modeling base is reused, calibration errors, poor part quality, and loss of extrusion may occur. Additional modeling bases are available from your reseller.

---

3. Press **Yes**. **Waiting for Part** will now be on the display.
4. From your CatalystEX workstation, send a part to the printer. The printer will automatically start to build the part. See [“Processing your STL file for printing” on page 24](#) for detailed instructions.

### STARTING A BUILD FROM THE DISPLAY PANEL

If **Wait for Part** has not been activated, you can send the part to the printer and start the part from the display panel after the part has been sent to the printer.

1. From your CatalystEX workstation, send a part to the printer. The display will show **Idle/Ready to Build** and the name of the first file that is in the queue waiting to be built.
2. Insert a modeling base.



**Caution:** DO NOT reuse modeling bases. If a modeling base is reused, calibration errors, poor part quality, and loss of extrusion may occur. Additional modeling bases are available from your reseller.

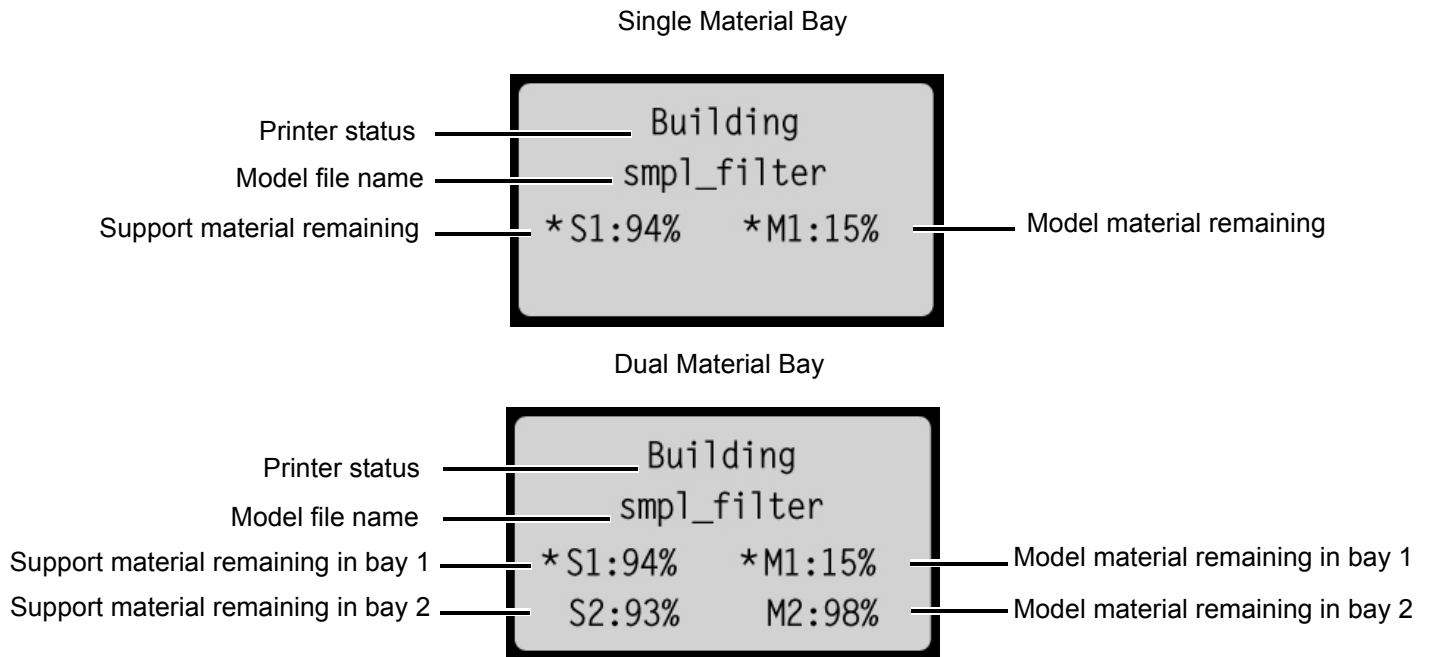
---

3. From the display panel press **Start Model** to start building the part.

# THE DISPLAY PANEL DURING BUILD

The top two lines of the display panel will show the printer status. See [Figure 4-4](#). The bottom line of the display panel will show the amount of model and support material that remains in the carriers.

Figure 4-4: Display panel during build



**Note:** If a material amount is flashing, it indicates that the remaining material will not be enough to complete the current build.

## CHAMBER LIGHTS

When a part starts to build, the chamber lights are automatically ON. The default time-out for the lights is 30 minutes. You can toggle the lights ON or OFF through the display panel.

You can set the chamber lights on permanently, however the chamber lights will return to factory settings when power is cycled.

1. From **Idle** or **Ready to Build**, on the display panel press **Maintenance**.
2. Press **Setup**.
3. Press **Lights Always On**.

Repeat this process to turn this option off.



# PAUSING A BUILD

While building a part, you may want to pause the build to allow for material replacement. To pause the build at any time, from the display panel press **Pause**.



**Note:** The printer will complete the current tool path before pausing.

---

# RESUMING AFTER PAUSE

If you have pressed **Pause**, and are ready to resume building the part, press **Resume** and the printer will resume printing.

# CANCELING A BUILD

You can cancel a build at any time while the part is building.

1. From the display panel press **Pause**.
2. Once the printer stops building, press **Cancel Build**.
3. The display will ask **Are you Sure?** Press **Yes**.
4. The display will show **Build Stopped** followed by the file name. You will then be prompted to remove the part and replace the modeling base.
5. Remove the part and replace the modeling base.



**Gloves:** The modeling base will be hot, wear gloves when removing the part from the printer.

---

6. Once the chamber door has been opened and closed, the display will ask **Part Removed?** Press **Yes** only after you have removed the part and replaced the modeling base.



**Caution:** If you press **Yes** before removing the part, the printer can be damaged.

---

# REMOVING A COMPLETED PART

When the printer has completed building a part, the display will show **Completed** followed by the file name. It will also show **Remove Part** and **Replace Modeling Base**.



**Gloves:** The modeling base will be hot, wear gloves when removing the part from the printer.

---

1. Open the chamber door.
2. Turn the modeling base retainers down and remove the modeling base by sliding out and pulling up.
3. Insert a new modeling base by sliding in and pushing down, turn the retainers up to lock the modeling base in place.
4. Close the chamber door.
5. After you have opened and closed the door, the display will show **Part Removed?** only after removing the part and replacing the modeling base, from the display panel press **Yes**.



**Caution:** If you press **Yes** before removing the part, the printer can be damaged.

---

After you press **Yes**, the display will show the status as **Idle** or **Ready to Build** for the next part in the queue.

## REMOVE A PART FROM THE MODELING BASE

1. After removing the modeling base from the printer, firmly flex the modeling base back and forth with your hands to loosen the part.
2. Pull the part off of the modeling base or use a putty knife to completely remove the part.

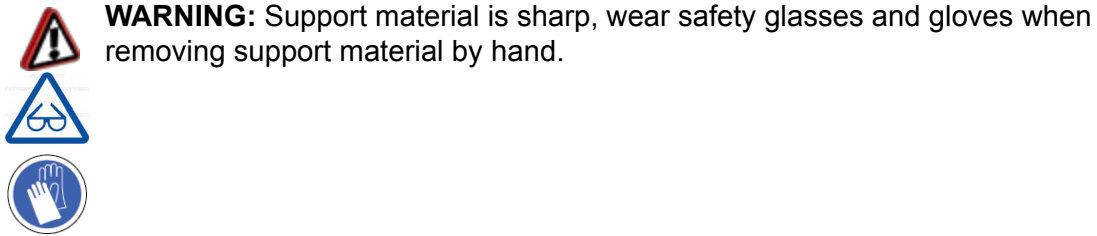


**Note:** Parts are easier to remove from the modeling base when still warm.

---

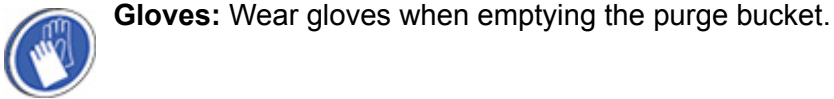
# REMOVING SUPPORT MATERIAL

uPrint SE and uPrint SE Plus use soluble support material which is designed to dissolve in a soap and water based solution. Your part is left with a smooth and clean finish with the fine details intact. The soluble support material can be removed by hand with relative ease, but is designed to be dissolved from your parts for hands free finishing.



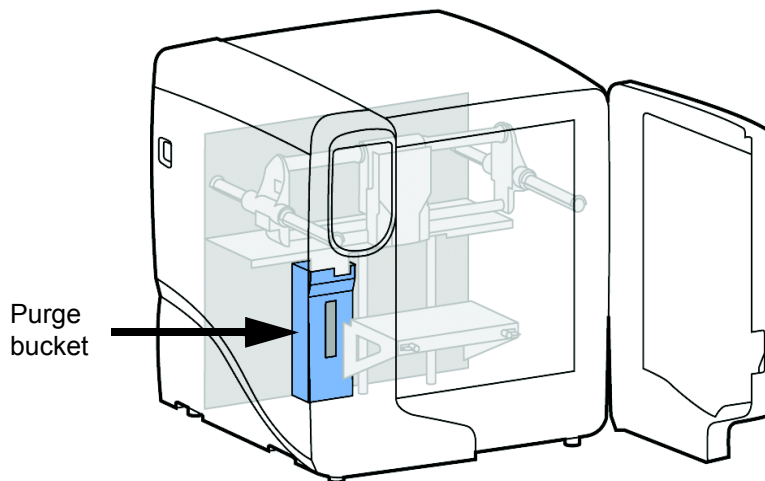
## EMPTYING THE PURGE BUCKET

Empty the purge bucket after each build to avoid part quality issues or damage to the printer.

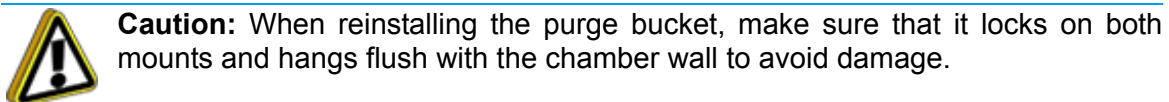


1. With a gloved hand, lift up on the purge bucket and pull it off of the two mounts. See [Figure 4-5](#).

Figure 4-5: Emptying the purge bucket



2. Empty the purge bucket.
3. Place the purge bucket over the two mounts and push down to lock in place.



# REPLACING MATERIAL FOR SINGLE MATERIAL BAY

1. From the display panel press **Material...** The display will show **Add/Remove** and **S1(remaining%)** and **M1(remaining%)**. Asterisks will mark the currently active material bays (the material bays that are currently loaded to the head).
2. Press **Unload...**
3. Select **Unload both**, **Unload Model** or **Unload Support**.
4. The printer will now unload material from the head. When the material has unloaded, you will need to replace the material carriers.
5. Open the material bay doors by gently pressing in to release and pulling outwards.
6. Remove the material carriers by first pushing them in to unlatch and then pulling them outwards.
7. Place the carrier on a flat stable surface.

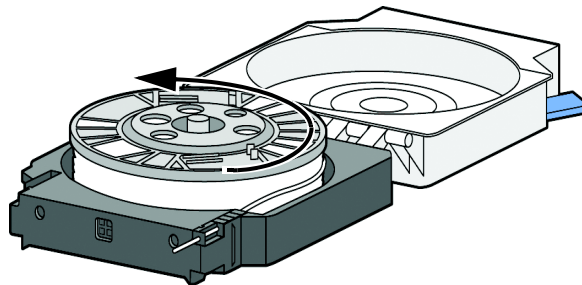


**Caution:** Do not push the material through the material guide back into the carrier, doing so can cause material to break or become tangled.

---

8. Open the carrier.
9. Rotate the spool to rewind the material, leaving 2 inches (50mm) remaining at the material guide. See [Figure 4-6](#).

[Figure 4-6](#): Rewinding the material spool



10. Using a cutters, cut the excess 2 inches (50mm) of material from the material guide. leaving a blunt end.
11. Replace the material spool.
12. Close and latch the carrier.
13. Once the material carriers have been replaced press **Load...**
14. Select **Load Model**, **Load Support** or **Load both**.
15. After material has been loaded to the head press **Done...**

# REPLACING MATERIAL FOR DUAL MATERIAL BAYS

1. From the display panel press **Material...** The display will show **Add/Remove** and **S1 (remaining%)**, **S2 (remaining%)** and **M1, M2 (remaining%)**. Asterisks will mark the currently active material bays (the material bays that are currently loaded to the head).
2. Press **Unload...**
3. Press **Unload both**, **Unload Model** or **Unload Support**.
4. The printer will now unload material from the head. When the material has unloaded, you will need to replace the material carriers.
5. Open the material bay doors by gently pressing in to release and pulling outwards.
6. Remove the material carriers by first pushing them in to unlatch and then pulling them outwards.
7. Place the carrier on a flat stable surface.

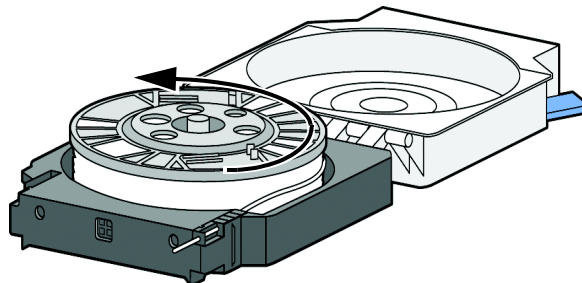


**Caution:** Do not push the material through the material guide back into the carrier, doing so can cause material to break or become tangled.

---

8. Open the carrier.
9. Rotate the spool to rewind the material, leaving 2 inches (50mm) remaining at the material guide. See [Figure 4-7](#).




[Figure 4-7](#): Rewinding the material spool



10. Using a cutters, cut the excess 2 inches (50mm) of material from the material guide, leaving a blunt end.
11. Replace the material spool.
12. Close and latch the carrier.
13. Once the material carriers have been replaced press **Load...**
14. You can select which carriers you want to load to the head by selecting **Next Model** or **Next Support**. When done selecting press **Load Selected**.
15. The printer will now load the selected material bays and prepare the other bays for automatic loading. After they are done loading and preparing, press **Done...** the display will show **Wait for Part** or **Ready to Build**.

# MATERIAL BAY LEDES

The table below will show the status indicated by the LEDs.

On		Material currently loaded to the head
Off		No carrier present Carrier present and ready to be loaded
Blinking		Carrier needs replacement (is empty or has an error)

## REPLACING MATERIAL SPOOLS

### REMOVING A SPOOL OF MATERIAL FROM THE CARRIER

1. Place the carrier on a flat stable surface.
2. Unlatch the carrier and open.
3. Remove the spool of material. Discard any pieces of material that may remain in the carrier.
4. Remove the material guide and recycle. See [“Removing the EEPROMs from the material guides” on page 64.](#)
5. Recycle the empty material spool. See [“Recycling Codes” on page 63.](#)
6. Install a new material spool into the material carrier.

## STORING MATERIAL SPOOLS

Material spools are factory packaged in an anti-static, moisture-proof bag to preserve shelf life. Material will stay humidity free inside the spool for at least 30 days after opening. Shelf life is more than one year if the material spool package remains sealed.

If you will not be using the printer for more than 72 hours, unload and store model and support material in the storage bags provided to prevent moisture absorption.

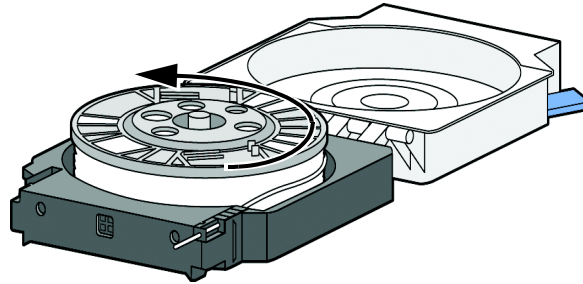
1. Unload material from the printer.
2. Open the material bay doors by gently pressing in to release and pulling outwards.
3. Remove the material carriers by first pushing them in to unlatch and then pulling them outwards.
4. Place the carrier on a flat stable surface.



**Caution:** Do not push the material through the material guide back into the carrier, doing so can cause material to break or become tangled.

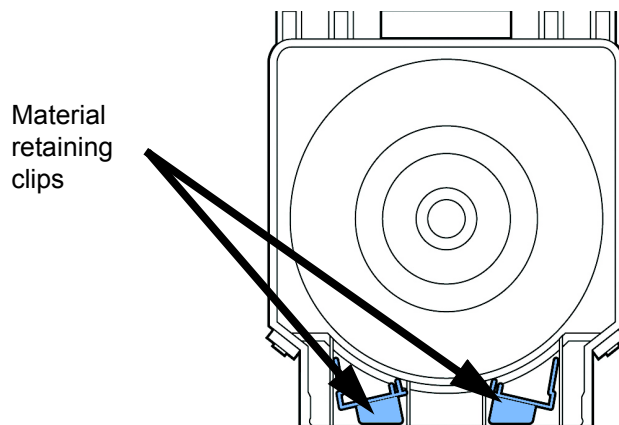
5. Open the carrier.
6. Rotate the spool to rewind the material, leaving 2 inches (50mm) remaining at the material guide. See [Figure 4-8](#).

Figure 4-8: Rewinding the material spool



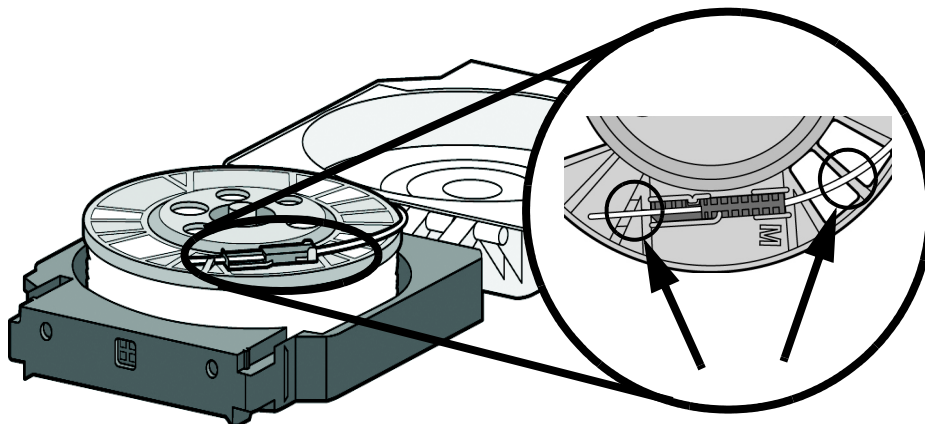
7. Using a cutters, cut the excess 2 inches (50mm) of material from the material guide, leaving a blunt end.
8. Locate the two material retaining clips on the carrier. See [Figure 4-9](#).

Figure 4-9: Material retaining clips



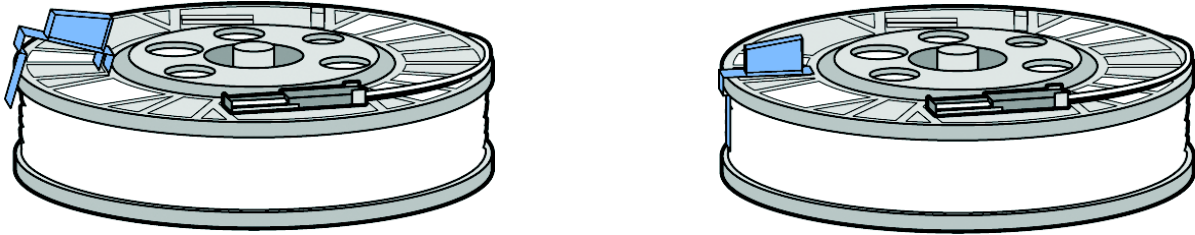
9. Place the material guide in the material guide slot on the spool. See [Figure 4-10](#).
10. Place the material in the material notches. See [Figure 4-10](#).

Figure 4-10: Material guide slot and detents



11. Cut the excess material from material guide.
12. Place the material retaining clips on the spool before removing the spool from the carrier. See Figure 4-11.
  - A. Push the material retaining clips over the material and clip on to the material spool.
  - B. Push the material retaining clips down until they lock in place.

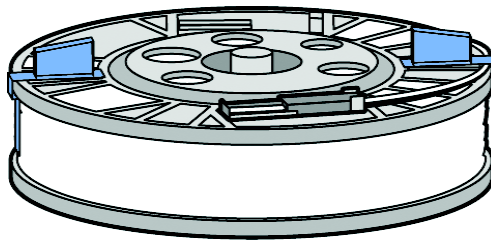
Figure 4-11: Installing material retaining clips



Place clip and push down to lock in place

13. Remove the material spool from the material carrier. See Figure 4-12.

Figure 4-12: Properly installed material retaining clips.



14. Place the material spool in the storage bag that came with the material carrier.



**Note:** When not loaded in the printer, always store material spools in the material carrier or the storage bag that came with the carrier to prevent moisture absorption.

## AUTO POWER DOWN

You can set the printer to automatically power down when a build is complete. This option will save energy usage.

1. While the printer is building, press the **Auto Power Down** button.
2. Turn the power switch, located on the left side of the printer, to the OFF position.

The printer will display **Auto Power Down Mode** and the printer will power down as soon as the build is complete.

## CANCELING AUTO POWER DOWN

To cancel Auto Power Down, turn the power switch back to the ON position.



# POWERING OFF

To power off the printer, turn the power switch to the OFF position. You can do this at anytime without harming the printer. No other steps are necessary. If this is done while the printer is building a part, the current part will not be completed.



**Note:** System cooling fans and lights will continue to operate for several minutes after the switch has been turned off.

---

# RESUMING OPERATIONS FROM STANDBY MODE

After several minutes of inactivity, the printer will enter Standby mode. During Standby, the head temperature will decrease to conserve energy.

From the display panel press **Resume**.

# UPDATING PRINTER SYSTEM SOFTWARE

## INSTALLING THE SYSTEM SOFTWARE

1. From the printer display panel, press **Maintenance**.
2. Press **System**.
3. Press **Load Upgrade**. The printer will then display “**Send upgrade from workstation**” followed by the printer’s IP address.
4. Open CatalystEX and click on the **Printer Services** tab.
5. Click on the **Update Software** button. CatalystEX will now connect to the printer and will prompt you to locate the upgrade file. Navigate CatalystEX to the directory where the upgrade file is located. The update will automatically be loaded on to the printer. After the update has been loaded, the display will show **Verifying update**.
6. When verification is complete, the display will show **Reboot to complete**. Press **Yes**. The printer will now reboot and return to **Idle**.
7. Press the **Maintenance** button and verify the updated version was installed correctly then exit maintenance.

# 5 MAINTENANCE

## STARTUP KIT TOOLS

The startup kit contains a set of tools used to help you maintain the printer. The following is a list of the tools contained in the startup kit.

- Needle nose pliers
- T-Handled allen wrench - 1/8 inch
- T-Handled allen wrench - 7/64 inch
- Gloves (Leather)
- Cutters
- Brush
- Magnifier

## PREVENTIVE MAINTENANCE

### DAILY

#### EMPTY THE PURGE BUCKET

Empty the purge bucket after each build has completed.

#### INSPECT THE TIP WIPE ASSEMBLY

After each build you should inspect the tip wipe assembly to make sure there is no material build up. If there is material build up, clean the tip wipe assembly. Material build up on the tip wipe assembly can cause part quality issues. See [“Tip wipe assembly” on page 38](#).

#### INSPECT THE TIP SHIELDS

After each build you should inspect the tip shields for damage or material build up. If there is material build up remove it as needed. If the material will not break free or there is damage to the tip shield, replace the tip shield. See [“Tip shield replacement” on page 40](#).

#### REMOVE DEBRIS BUILDUP

Remove all material buildup on the Z platform and around the lead screw. Failure to do so could cause the base to not be level or the Z platform to jam at its upper limit.

#### VACUUM BUILD CHAMBER

Vacuum the build chamber to remove all debris and purged material.

#### CLEAN DOOR

Do not use ammonia based glass cleaner on the door. It will damage the acrylic window.



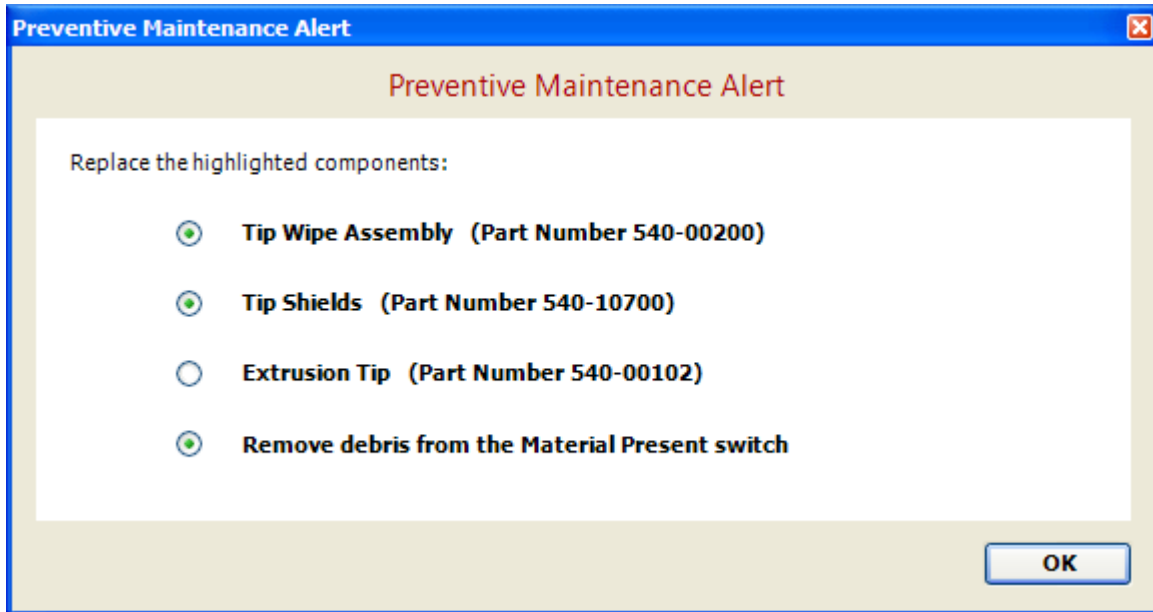
**Caution:** ONLY use acrylic cleaner.

---

# 500 HOUR MAINTENANCE

Preventive Maintenance Alerts will be displayed on the workstation at the 500 hour time interval as a reminder to perform preventive maintenance. See [Figure 5-1](#).

Figure 5-1: Preventive Maintenance Alert

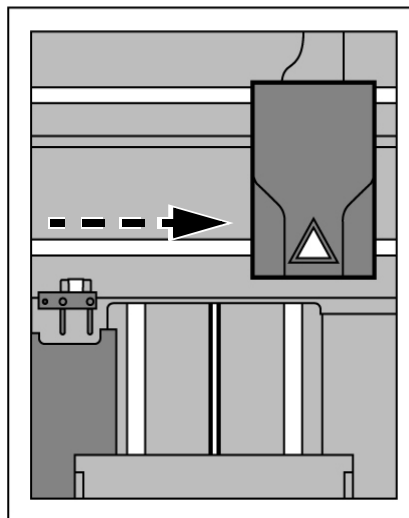


## TIP WIPE ASSEMBLY

The tip wipe assembly should be replaced approximately every 500 hours.

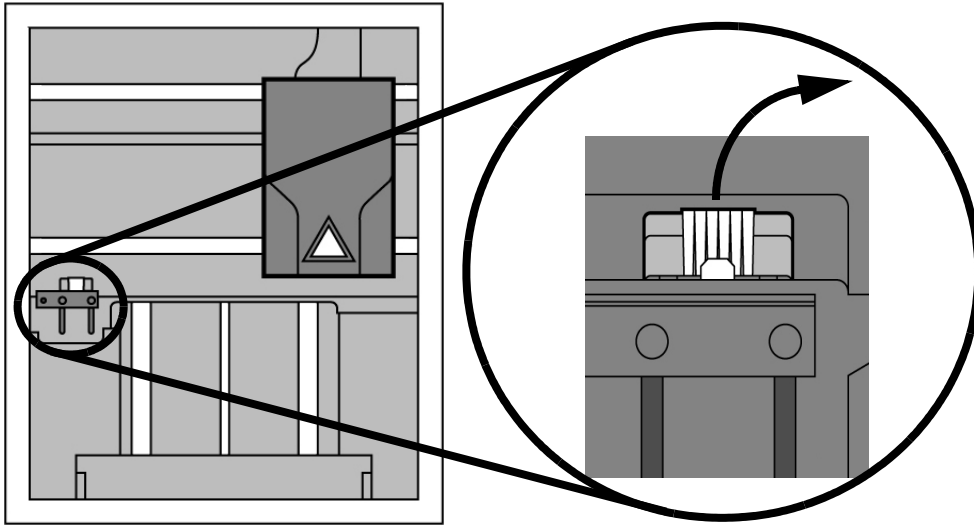
1. Completely power down the printer.
2. Move the head to the right of the printer to gain access to the tip wipe assembly.

Figure 5-2: Move the toggle head to the right



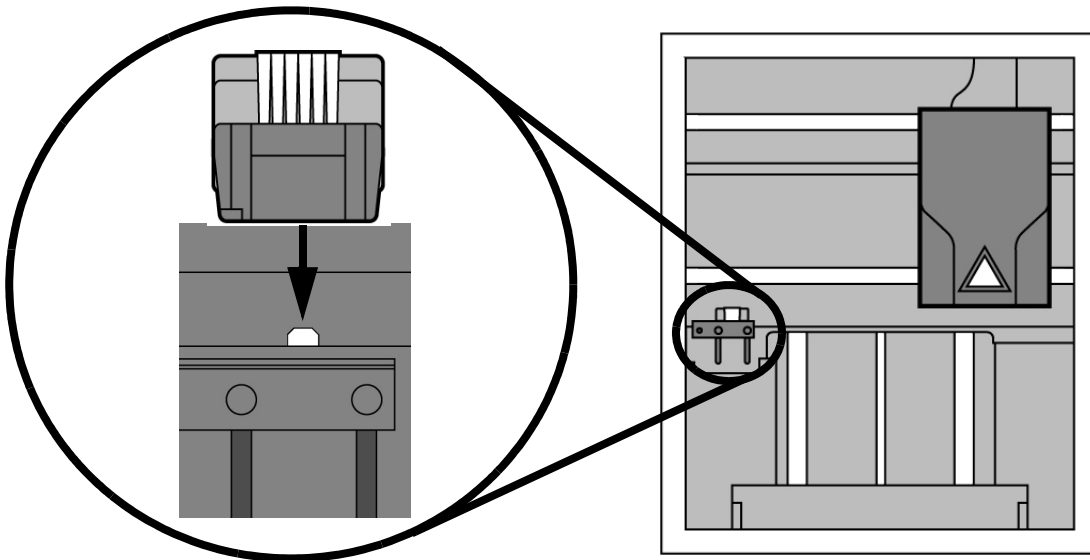
3. Remove the tip wipe assembly by lifting the assembly up and out of the printer. Discard this tip wipe assembly. See [Figure 5-3](#).

[Figure 5-3](#): Replacing the tip wipe assembly



4. Place the new tip wipe assembly over the two mounting posts making sure the assembly is fully installed. See [Figure 5-4](#).

[Figure 5-4](#): Installing tip wipe assembly

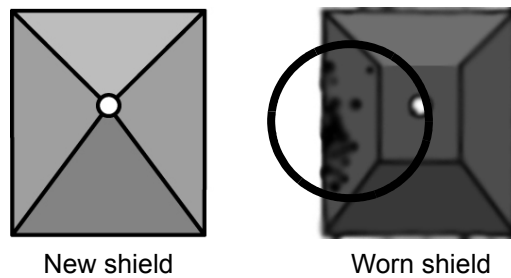


5. Power the printer back up.

## TIP SHIELD REPLACEMENT

Tip shields can become worn or damaged over time. This can have a negative impact on the surface finish and detail of models. Replace the tip shields every 500 hours.

Figure 5-5: Tip Shield damage



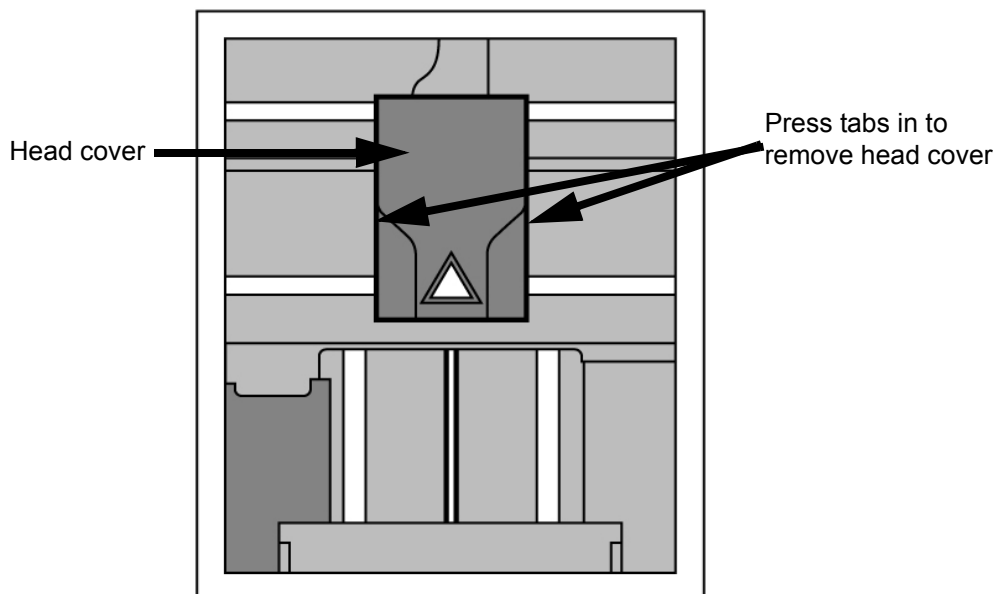
1. Enter **Head Maintenance**.
  - A. From the display panel press **Maintenance**.
  - B. Press **Machine**.
  - C. Press **Head**. The head will come to rest in the center of the chamber and the Z platform will change position.



**Gloves:** The head area is hot, wear gloves when working in this area of the printer.

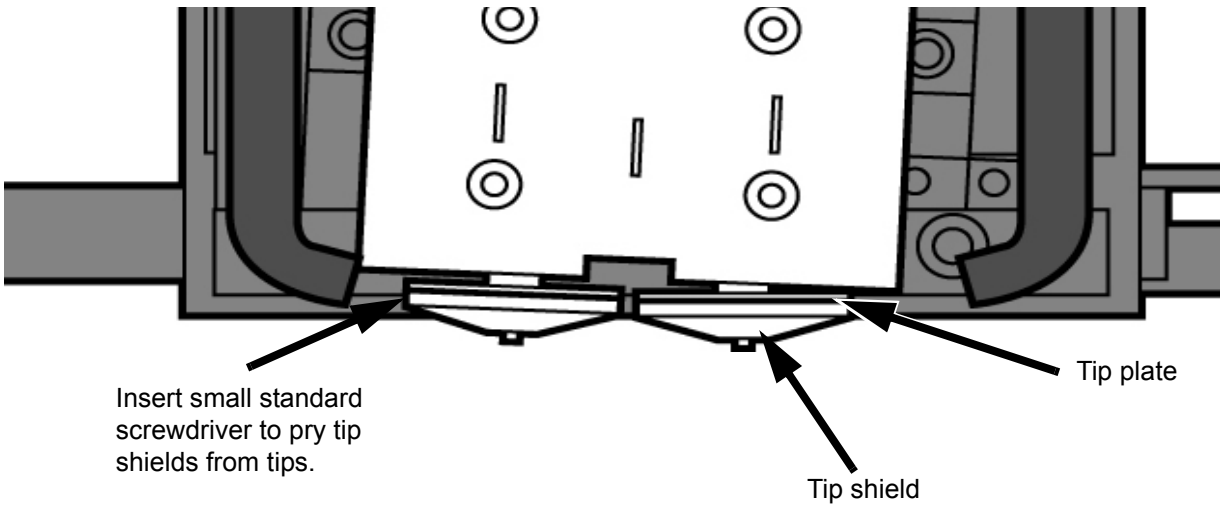
2. Remove the head cover by pressing the tabs in and pulling away from the head. See [Figure 5-6](#).

Figure 5-6: Head cover tab locations



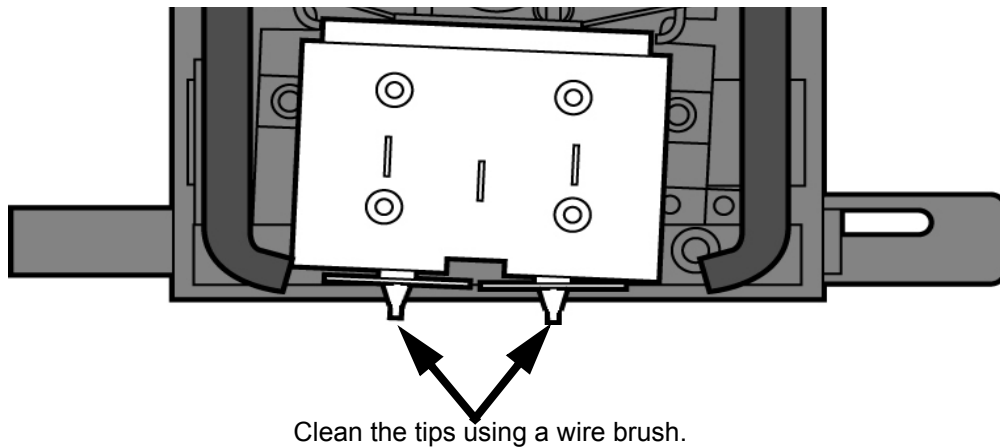
3. Position the blade of a small screwdriver between the tip shield and tip plate. Use the blade of the small screwdriver to separate the tip shield from the tip plate. See [Figure 5-7](#).

Figure 5-7: Tip Shield removal



4. Clean the tip using the wire brush supplied with the Startup Kit to remove any debris. See [Figure 5-8](#).

Figure 5-8: Clean tips with wire brush



5. Install a new tip shield by pushing it over the exposed tip, keeping the slotted end toward the back of the head. See [Figure 5-9](#).



**Note:** Tip shield should be flush with the tip plate as shown in [Figure 5-10](#).

Figure 5-9: Tip Shield installation

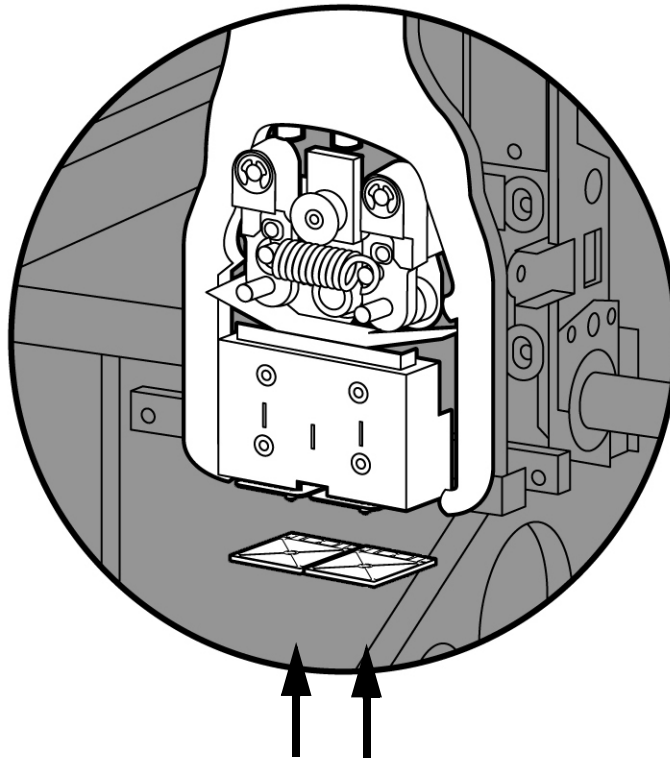
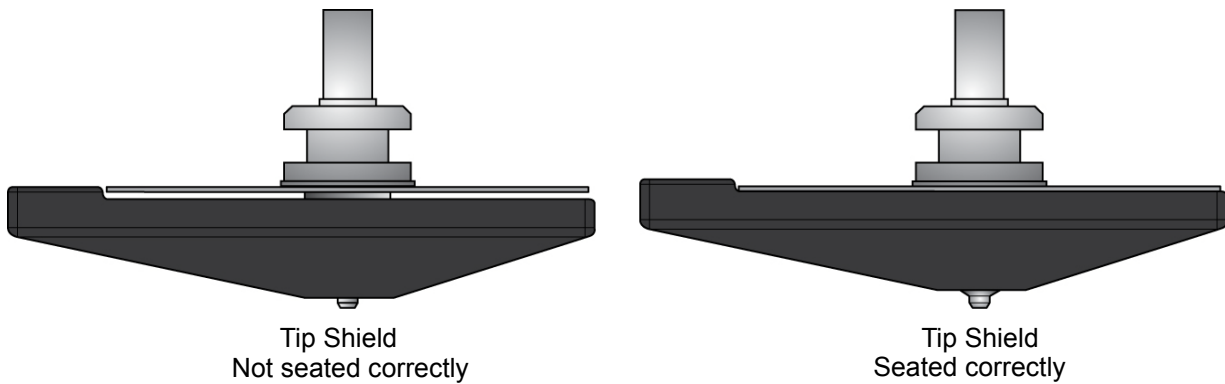


Figure 5-10: Tip shield placement



6. Replace head cover.



**Note:** If the head cover is not replaced the printer may not function properly.

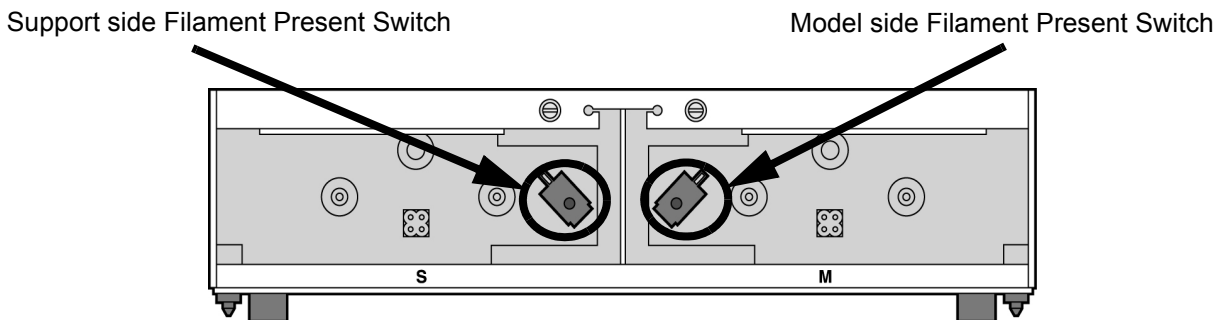
7. Exit **Maintenance**, press **Done** until back at **Idle**.

## REMOVE DEBRIS FROM THE FILAMENT PRESENT SWITCH

There may be a time when the Filament Present switch needs to be cleared in addition to the 500 hour maintenance. For example, if a **Material Error-Filament blocked** message appears on the display panel; the recommendation may be to clear debris from the Filament present switch.

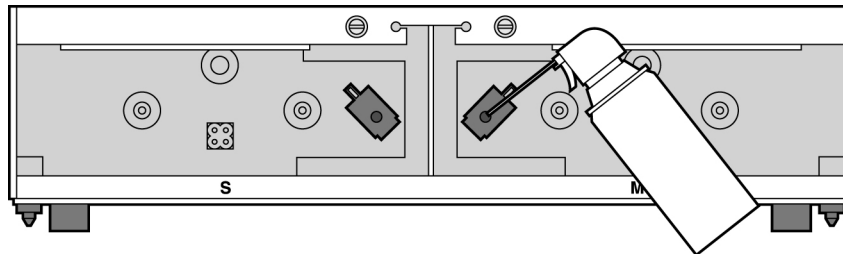
1. Unload material from the printer and remove the material carriers.
2. Open the material bay doors by gently pressing in to release and pulling outwards.
3. Remove the material carriers by first pushing them in to unlatch and then pulling them outwards.
4. Disconnect the material tubes from the rear of the material bay(s). Leave them attached to the Y block.
5. Locate the entrance hole to the Filament Present Switch in the material bay(s). See [Figure 5-11](#).

[Figure 5-11](#): Filament Present Switch location



6. Obtain a can of compressed air.
7. Insert the canned air extension tube to its spray nozzle.
8. Align the canned air extension tube with the entrance hole of the Filament Present Switch. See [Figure 5-12](#).

[Figure 5-12](#): Cleaning the Filament Present Switch



9. Squeeze the spray nozzle for one quick burst (approximately 2 seconds) to clear each Filament Present Switch on the model and support sides of the material bay. If an optional material bay is installed, repeat this procedure for the second bay.
10. Reconnect the material tubes to the rear of the material bay(s).
11. Replace the material carriers and load material.

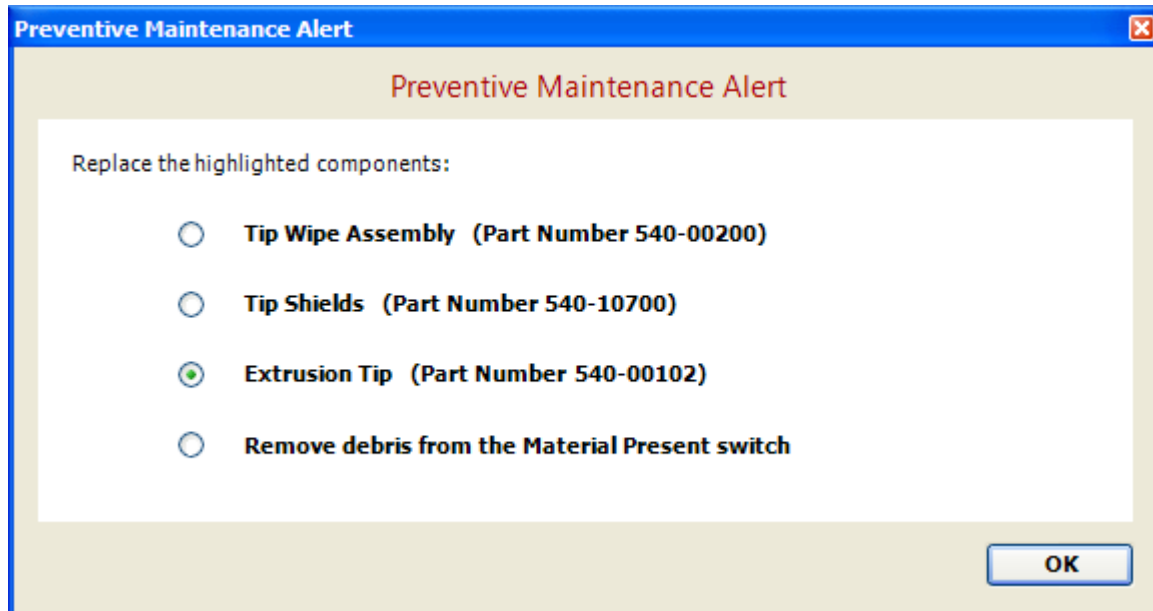


# 2000 HOUR MAINTENANCE

## TIP REPLACEMENT AND CALIBRATION

A Preventive Maintenance Alert will be displayed after 2000 hours of run time informing you that tips need to be replaced and calibrated. See [Figure 5-13](#).

Figure 5-13: Preventive Maintenance Alert



**Note:** Tips can also be damaged by improper care while performing maintenance in the area around the tips.



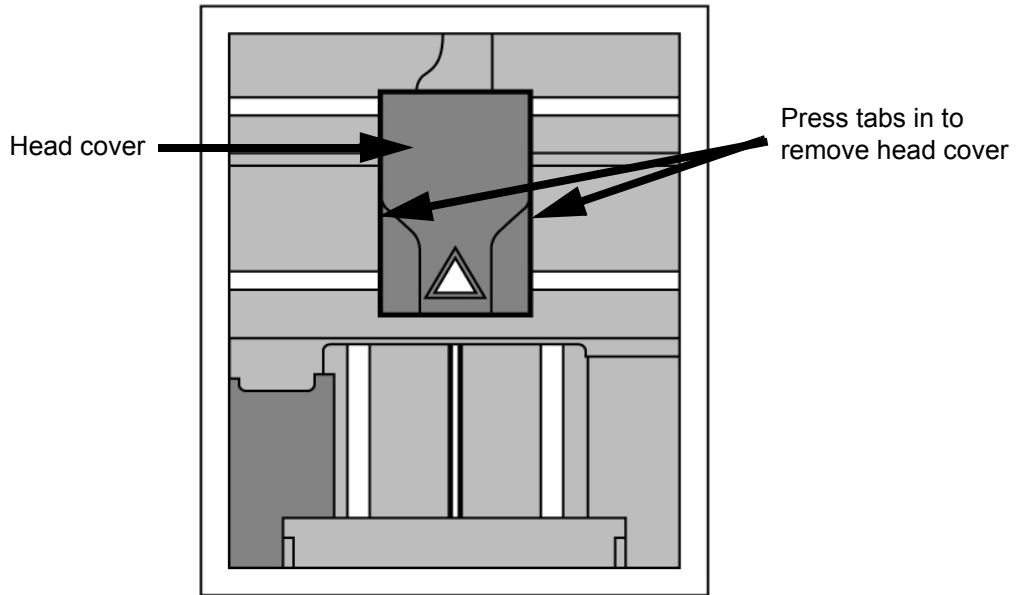
**Note:** CatalystEX displays the tip time (hrs) - from the Printer Services Tab - Printer Info button (Tip time will reset to zero after replacement).

### REMOVING TIPS

1. You will need to make sure the printer is powered ON before replacing the extrusion tips.
2. From the display panel press **Maintenance**.
3. Press **Machine**.
4. Press **Tip**.
5. Press **Replace**.
6. The printer will display **Material Unload - Unloading Model**.
7. When finished unloading, the display will prompt to remove the material carriers. Push the material carriers in and release to unlatch.
8. You can now open the printer door and replace the tips - or you can **Cancel** the tip replacement procedure.

9. Remove plastic head cover by squeezing raised pads on sides of cover. See [Figure 5-14](#).

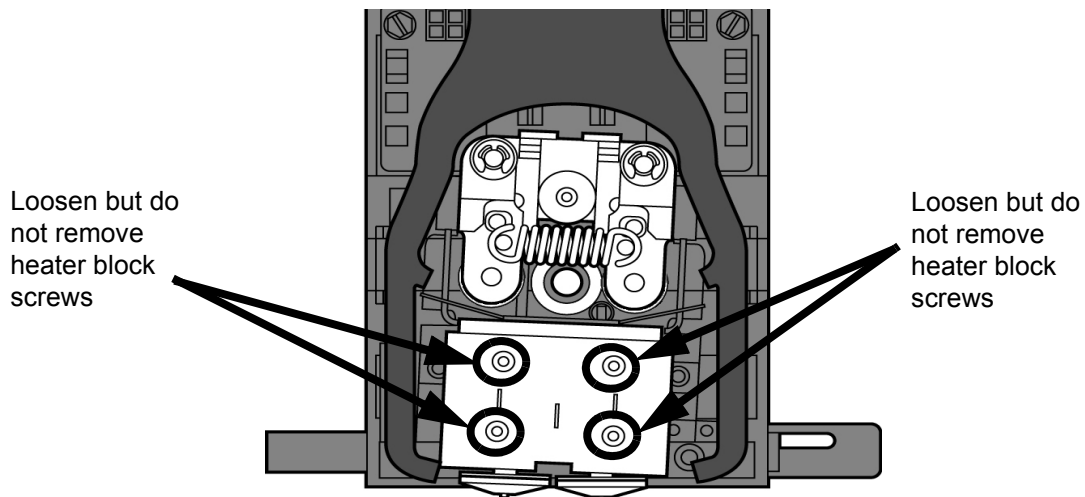
[Figure 5-14](#): Head cover tab locations



10. Remove tips

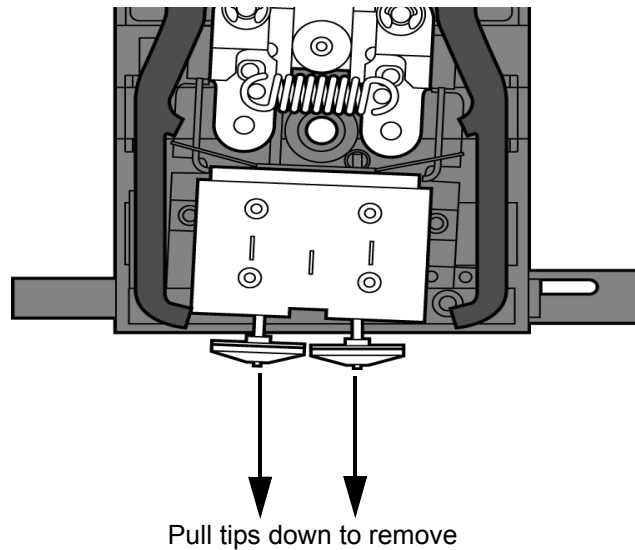
- A. Use 7/64 T-Handle Allen wrench to loosen the heater block screws three to four full turns counterclockwise - or until the top of the screws are flush with the metal cover. **DO NOT** remove the screws entirely. See [Figure 5-15](#).

[Figure 5-15](#): Tip Removal



- B. Use needle nose pliers to grasp the stainless steel shield of the tip.
- C. Pull the tip shield toward you, then pull down to remove the tip from the heater block. Discard the used tip. See [Figure 5-16](#).

Figure 5-16: Remove the tips

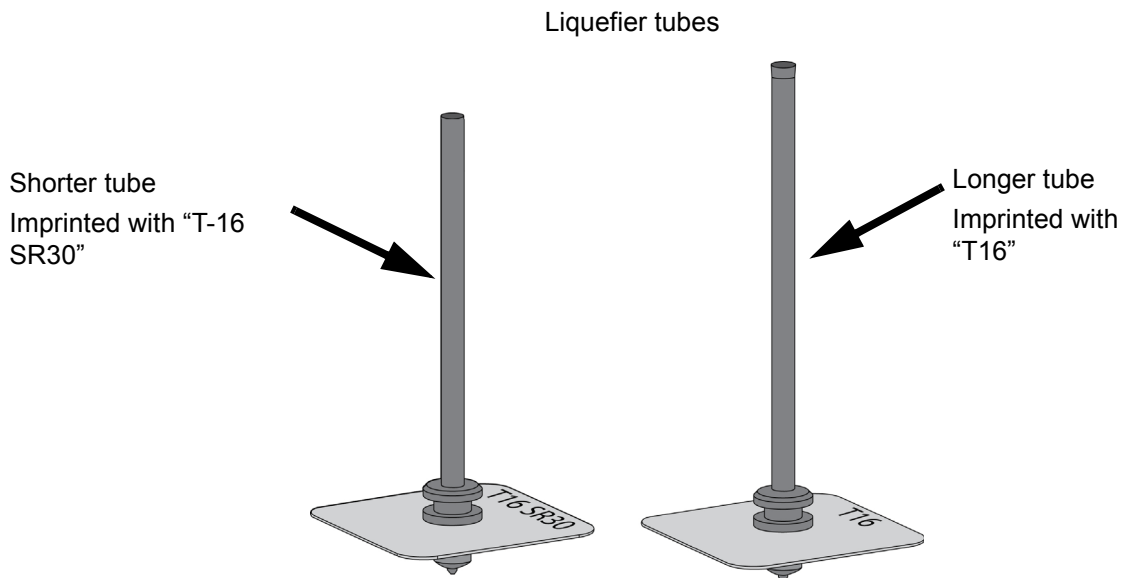


- D. Repeat for second tip if necessary.

## INSTALLING TIPS

1. Place the tip shield on the tip. Be sure to install the proper tip. See [Figure 5-17](#).

Figure 5-17: Tip shield alignment



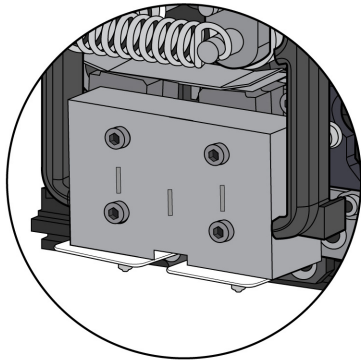
2. With gloved hand, insert the new tip into the heater block.
3. Use needle nose pliers to grasp the stainless steel shield of the tip.
4. Pull the tip shield toward you, then lift up to install the tip.
5. Push the tip toward the back of the printer once it is all the way up against the heater block.
6. Verify the tip is fully inserted into the heater block and that the stainless steel shield is aligned. See [Figure 5-18](#).

- Use 7/64 T-Handle Allen wrench to firmly tighten the heater block clamp screws.  
See [Figure 5-18](#).

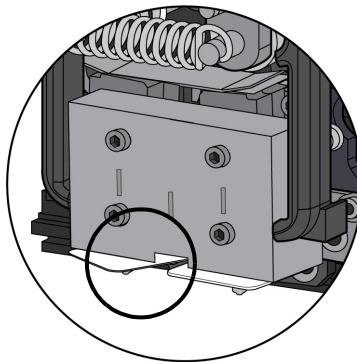


**Note:** Make sure the tip remains all the way up against the heater block as you tighten the screws.

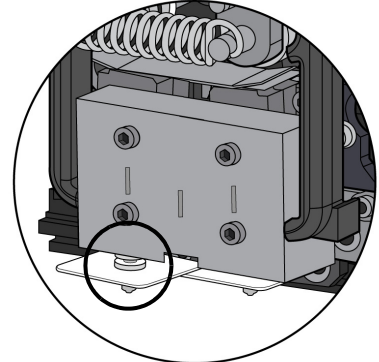
Figure 5-18: Installation Examples



CORRECT



INCORRECT - Shield Interference



INCORRECT - Tip not seated

- Repeat steps 3 through 7 for the other tip if necessary.
- Install a new tip shield by pushing it over the exposed tip, keeping the slotted end toward the back of the head. See [Figure 5-19](#).



**Note:** Tip shield should be flush with the tip plate as shown in [Figure 5-20](#).

Figure 5-19: Tip shield installation

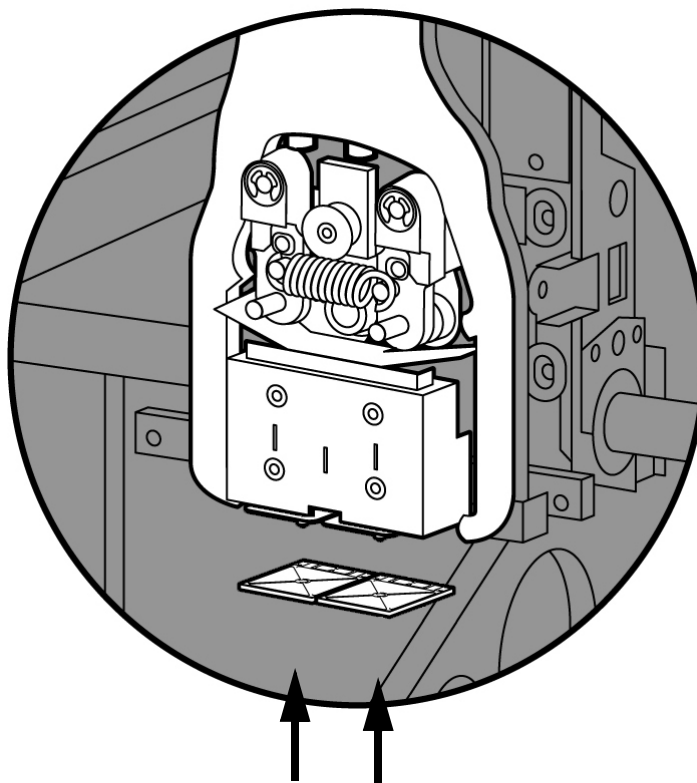
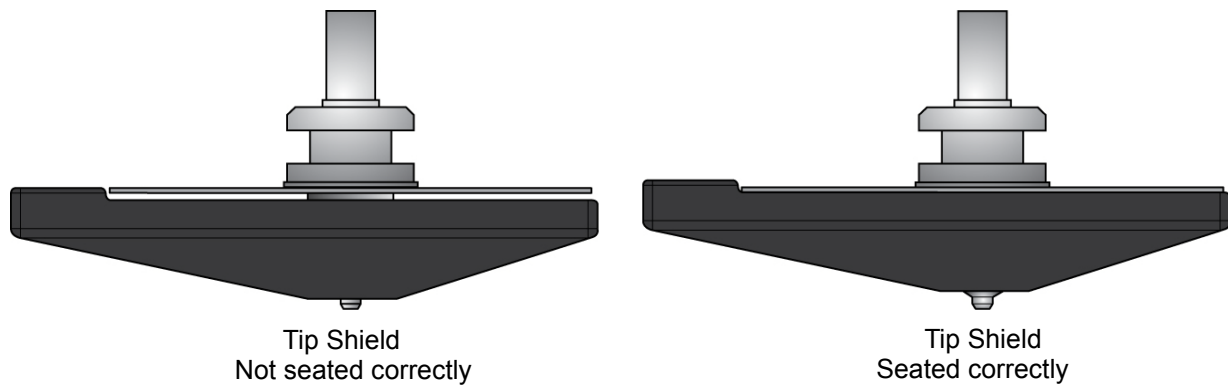


Figure 5-20: Tip shield placement



10. Replace head cover and close the printer door.



**Note:** If the head cover is not replaced the printer may not function properly.

11. The printer will display **Tip Maintenance - Tips Replaced?** - press **Yes** to begin material load.
  - A. The printer will display **Maintenance - Add/Remove** (flashing).
    - If you want to replace a material carrier, do so now.
  - B. Load the model and support material carriers by pushing in until they latch. Press the **Load Selected** button.
12. The printer will now begin to load material.
13. After material loading is complete the printer will display **Tip Calibration - Install Modeling Base And Build Calibration Part.**



**Note:** Make sure a NEW modeling base is installed before starting calibration. Calibration results will be incorrect if a NEW modeling base is not used.

## TIP CALIBRATION

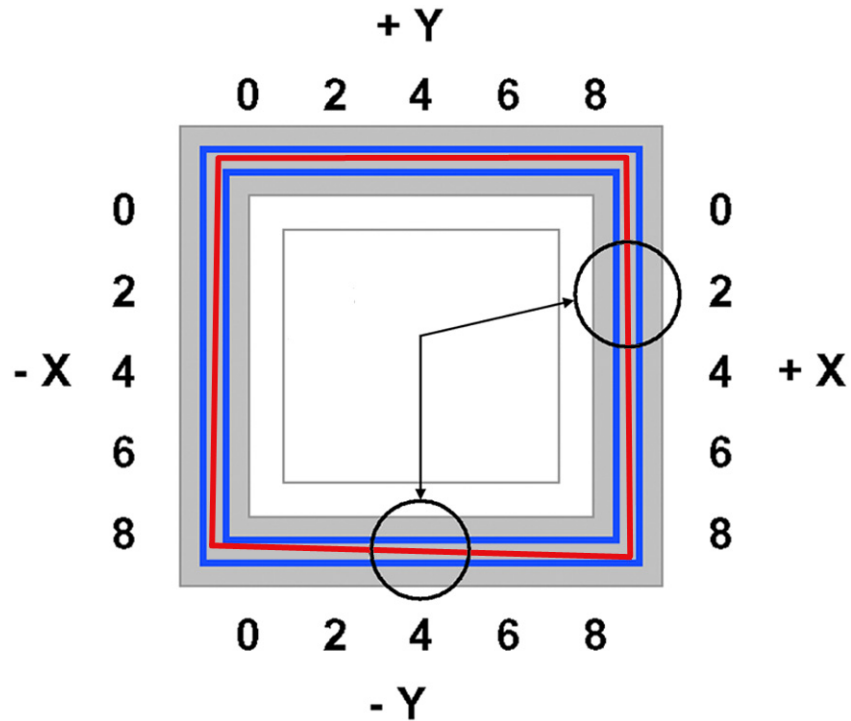
Tip replacement requires Tip Calibration.

1. Select **Start Part** (flashing) - the printer will run two calibration parts.
  - The printer will automatically build a Z Calibration part, measure the part and calibrate the Z Axis for tip depth and tip level (approximately 5 minutes). The Z calibration is automatic.
  - The printer will then automatically build an XY Calibration part (approximately 10 minutes). You must inspect the XY Calibration part and calibrate the X and Y axis for tip offset:
2. When the XY Calibration part is complete the printer will display **Remove Part and Select XY Adjustment - X:0, Y:0.**
3. Remove the XY tip calibration part from the printer.

4. Inspect the part and calibrate the X and Y axis, See [Figure 5-21](#).
  - A. Use the magnifier from the Startup kit to view the support road (shown in red).
  - B. Identify the location on the +X or -X side of the part where the support road is best centered within the model boundaries (shown in blue).
  - C. Read the number closest to this location. This is the required X Tip Offset adjustment. If the number is on the -X side, a negative offset is required.
  - D. Select **Increment** or **Decrement** to input the X offset adjustment - the value will change in the upper display window (by default, the printer will be ready to accept the X value).
  - E. When you are satisfied with your X offset value, Select **Y** and repeat steps A- D to identify and input the required Y Tip Offset adjustment.

**Figure 5-21:** Example XY Tip Offset Part.

This example requires an adjustment of X = + 2, Y = - 4

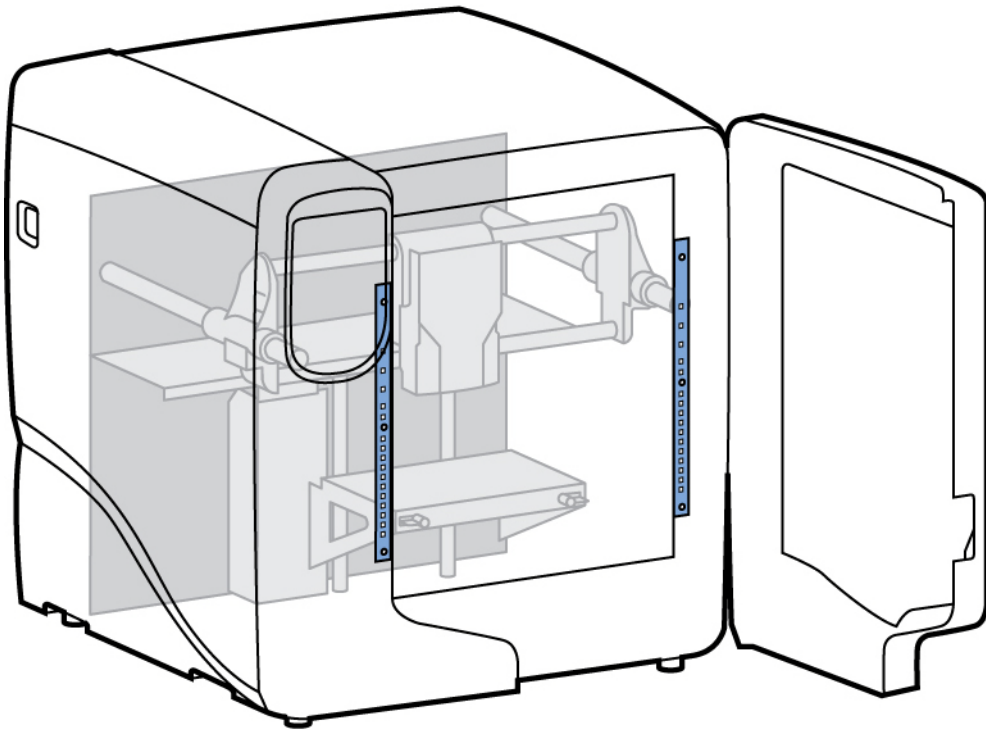


5. Select **Done** after you have input the X and Y offsets. The printer will return to **Maintenance**. Run the XY calibration a second time to be sure the values changed the offset properly.
6. When finished, press **Done** until back at **Idle**.

## CHAMBER LIGHT BAR REPLACEMENT

1. Power down the printer.
2. Locate the wiring harness leading away from the top of the light bar.
3. Disconnect the light bar from the wiring harness by squeezing the wiring harness clip while pulling down.
4. Remove the light bar by removing the three attachment screws (top, middle, bottom) - use the 7/64 T-handle wrench supplied in the startup kit.
5. Install a replacement light bar with the three attachment screws - do not overtighten the screws.
6. Re-attach the wiring harness lead.

Figure 5-22: Chamber light bar locations



# 6 TROUBLESHOOTING

## TROUBLESHOOTING

<b>Problem</b>	<b>Recommendation</b>
No power	<ol style="list-style-type: none"> <li>1. Verify power cord is securely plugged in.</li> <li>2. Verify that the circuit breaker (at rear of printer) and the power switch (on left side panel of printer) are both in the ON position.</li> <li>3. Verify AC power is present at wall outlet.</li> </ol>
Material not extruding	Material may be clogged in tip see <a href="#">“Clogged tip” on page 55.</a>
Purge material accumulating on part.	Check condition of tip wipe assembly. Replace if worn. See <a href="#">“Tip wipe assembly” on page 38.</a>
No text displayed on Display Panel	Cycle power. See <a href="#">“Cycling power” on page 53.</a>
Cannot communicate with printer through network or crossover cable	<ol style="list-style-type: none"> <li>1. Make sure network cables are connected - at the printer, at the PC, or where cables connect to network hubs.</li> <li>2. Re-configure network settings.</li> <li>3. If using a static network address, verify that the IP address entered in CatalystEX matches the IP address entered in the printer.</li> <li>4. Your network configuration may have changed. Contact your Network Administrator.</li> </ol>
Error code displayed on display panel	Contact Technical Support. For more information, refer to <a href="#">“Fault determination codes” on page 52.</a>
Build Error	Partial or bad part file sent to printer. Check STL file in CAD software for errors; reprocess STL in CatalystEX and re-download to printer.

<b>Error message on display panel</b>	<b>Recommendation</b>
Can't Find Home – Check Modeling Base	<ol style="list-style-type: none"> <li>1. Verify a modeling base is inserted.</li> <li>2. Modeling base may be used or defective – replace.</li> </ol>
Material Error Filament error	<ol style="list-style-type: none"> <li>1. Remove the carrier and verify material is coming out of the material guide.</li> <li>2. Verify material pulls freely from the carrier.</li> <li>3. Verify the material tubes are free of material.</li> <li>4. Reload material.</li> </ol>
Material Error Filament blocked	<ol style="list-style-type: none"> <li>1. Remove carrier and verify material pulls freely from carrier.</li> <li>2. Verify the material tubes are free of material.</li> <li>3. If the path is not obstructed, clean debris from Filament Present Switch. See <a href="#">“Remove debris from the Filament Present switch” on page 43.</a></li> <li>4. Reload material.</li> </ol>
Material Error Carrier invalid	<ol style="list-style-type: none"> <li>1. Remove carrier and verify it is not empty.</li> <li>2. Replace material spool.</li> <li>3. Reload material.</li> </ol>



Error message on display panel	Recommendation
Material Error Filament broken	<ol style="list-style-type: none"> <li>1. Remove the carrier and verify material is coming out of the material guide.</li> <li>2. Verify material pulls freely from the carrier.</li> <li>3. Verify the material tubes are free of material.</li> <li>4. Reload material.</li> </ol>
Load Error Filament blocked	<ol style="list-style-type: none"> <li>1. Remove the carrier and verify material is coming out of the material guide.</li> <li>2. Verify the material pulls freely from the carrier.</li> <li>3. Verify the material tubes are free of material.</li> <li>4. If the path is not obstructed, clean debris from Filament Present Switch. See <a href="#">“Remove debris from the Filament Present switch” on page 43.</a></li> <li>5. Reload material.</li> </ol>
Load Error Purge failed	<ol style="list-style-type: none"> <li>1. Remove the carrier and verify material is coming out of the material guide.</li> <li>2. Verify the material pulls freely from the carrier.</li> <li>3. Verify the material tubes are free of material.</li> <li>4. Check for and clear any excess material build up around the tips.</li> </ol>
Unload Error Unload failed	Remove the carrier and verify the material tubes are free of material.
Model/Support Jam in head clear before resuming	See <a href="#">“Material Jam” on page 56.</a>
Pausing	<ol style="list-style-type: none"> <li>1. Press <b>Resume</b>.</li> <li>2. Unload the material carriers and reinstall.</li> </ol>



**Note:** Certain Filament related error messages will allow you to enter maintenance mode after a 20 second timeout.

## FAULT DETERMINATION CODES

If a fault occurs which would prevent the printer from executing an operator request, the printer will begin to shut down and cool. The panel will display an error code. An error-code list (with the filename “error.txt”) can be found on the CD-ROM for the printer system software. (Because this list may change with each new software version, be sure to check the error.txt attachment when you install new system software upgrades.)

After the printer has finished cooling, the only option displayed is **Continue**. Press **Continue** and the printer will reboot and try to return to normal operation. If pressing **Continue** does not eliminate the error, power should be cycled (see [“Cycling power” on page 53](#)); wait 60 seconds before switching power on again. In most cases you will be able to continue operation. However, if the printer continues to shut down and display the same error, contact technical support.

# EXPORTING PRINTER CONFIGURATION (.CFG) FILE

If your printer is receiving fault determination codes, you may need to export a configuration (.cfg) file from your printer to send to Customer Support.

## EXPORTING CONFIGURATION FILE FROM PRINTER

1. Open CatalystEX from your workstation.
2. Click on the **Printer Services** tab.
3. Click on the **Export Configuration** button.
4. Browse to the directory where you wish to save the configuration file.
5. Click on the **Save** button.
6. Close CatalystEX.

## CYCLING POWER

1. Turn the power switch to the OFF position. The display will show **Shutting Down**.
2. After the printer has cooled down enough to shut down, the display will go blank.
3. When the display is blank and the printer has shut down, turn the circuit breaker to the OFF position.
4. Once the circuit breaker has been turned to the OFF position, wait 60 seconds and turn the circuit breaker back to the ON position.
5. Turn the power switch to the ON position. The printer display will show that it is starting up.

Once the display shows **Idle** or **Ready to Print**, you can send a file to the printer to be printed.

## DIAGNOSING LOSS OF EXTRUSION

Occasionally, the printer's head may experience loss of extrusion. This will be evident by observing one of the following:

- The head is moving with no material coming out of either tip
- The height of the model and support materials are not equal
- Sagging structures due to lack of support materials



**Gloves:** The head area is hot. Use gloves when working in this area of printer.

---

1. From the display panel press **Cancel** and remove parts from the printer.
2. Insert a new modeling base.
3. From **Idle**, press **Maintenance**.
4. Press **Machine**.

5. Press **Head**. The head will move to the center of the chamber and the Z platform will change position. The display will read: **Model Drive Motor Stopped**.
6. Determine if there is a model material extrusion problem by pressing **Forward** (command will be available after head reaches operating temperature). Watch the model tip (right tip) for any extrusion (material purge).



**Note:** You may need to wait up to 30 seconds before extrusion will begin as the tip may need to reach operating temperature

---

7. Press **Stop** to stop the extrusion.
8. If material did NOT flow from the model tip, see [“Recovering from loss of extrusion” on page 58](#). If material steadily flowed from the model tip, the model tip is functioning properly.
9. Test the support material tip by choosing: **Select Drive**.
10. Determine if there is a support material extrusion problem by pressing **Forward**. Watch the support tip (left tip) for any extrusion (material purge).
11. Press **Stop** to stop the extrusion.
12. If material did NOT flow from the support tip, see [“Recovering from loss of extrusion” on page 58](#). If material steadily flowed from the support tip, the support tip is functioning properly.
13. Return the printer to the Maintenance state - Press **Done**.
14. Display will ask **Which Materials Loaded?** Press **Both**.
15. Press **Done** until back at **Idle**.

# CLOGGED TIP

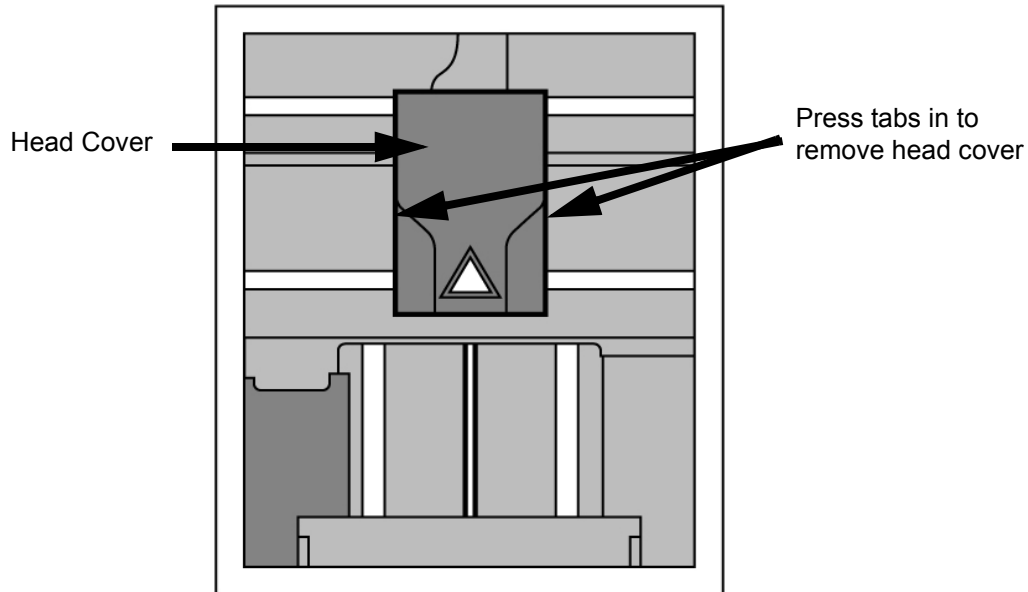
Occasionally, a tip may clog with material. This will often result in a loss of extrusion (LOE). A clogged tip will prohibit material load and part building.

1. Remove the head cover by pressing the tabs in and pulling away from the head. See [Figure 6-1](#).



**Gloves:** The head area is hot. Use leather gloves when working in this area of printer.

Figure 6-1: Remove the head cover



2. Inspect to of tips for material build up. If there is excess material build up see [“Recovering from loss of extrusion” on page 58](#). If there is no excess material build up close the chamber door and continue.
3. From the display panel press **Maintenance**.
4. Press **Machine**. The printer will calibrate which will take approximately 3 minutes.
5. Press **Head**. The head will heat up to operating temperature which will take approximately 3 minutes.
6. Press **Select Drive** and choose the drive that may have the clogged tip.
7. Press **Forward**, the drive wheel will turn the selected drive forward.
8. Press **Blower Off**, this will turn the head cooling fan off for 10 seconds, allowing the tip to heat up beyond operating temperature. If material starts to extrude the tip is no longer clogged. If material does not extrude see [“Recovering from loss of extrusion” on page 58](#).
9. Press **Done**.
10. Replace head cover.



**Note:** If the head cover is not replaced the printer may not function properly.

11. Display will ask **Which Materials Loaded?** Press **Both**.
12. Press **Done** until back to **Idle**.

## MATERIAL JAM

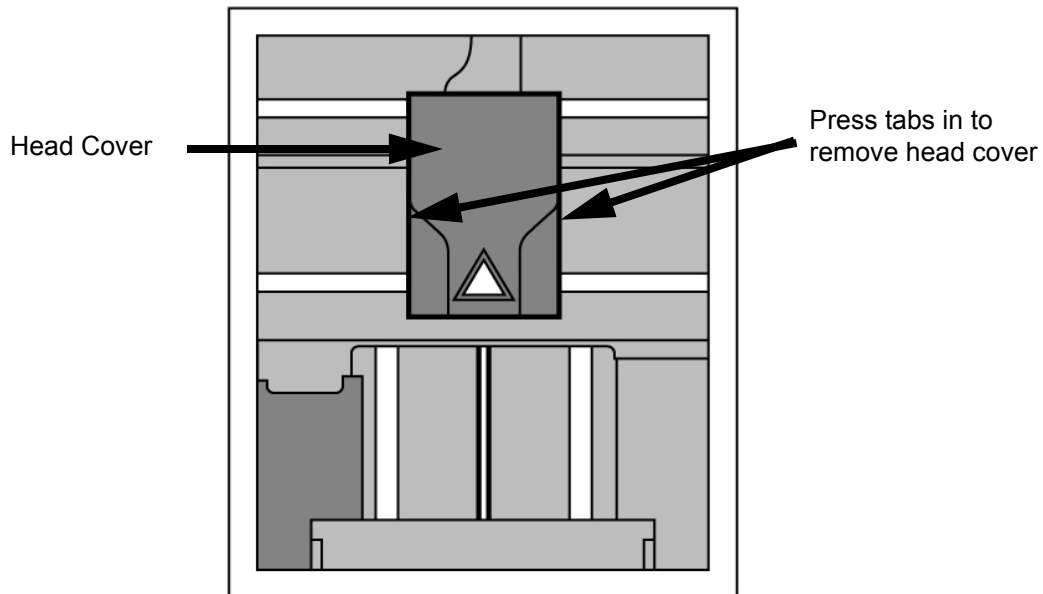
Occasionally, material may become jammed in the head. The printer will notify you of a material jam through a message shown on the display panel. If a material jam is detected, follow these steps to clear the jam.

1. From the display panel, press **Continue**.
2. Press **Maintenance**.
3. Press **Machine**.
4. Press **Head**.
5. Once in head maintenance mode, remove the head cover by pressing the tabs in and pulling away from the head. See [Figure 6-2](#).



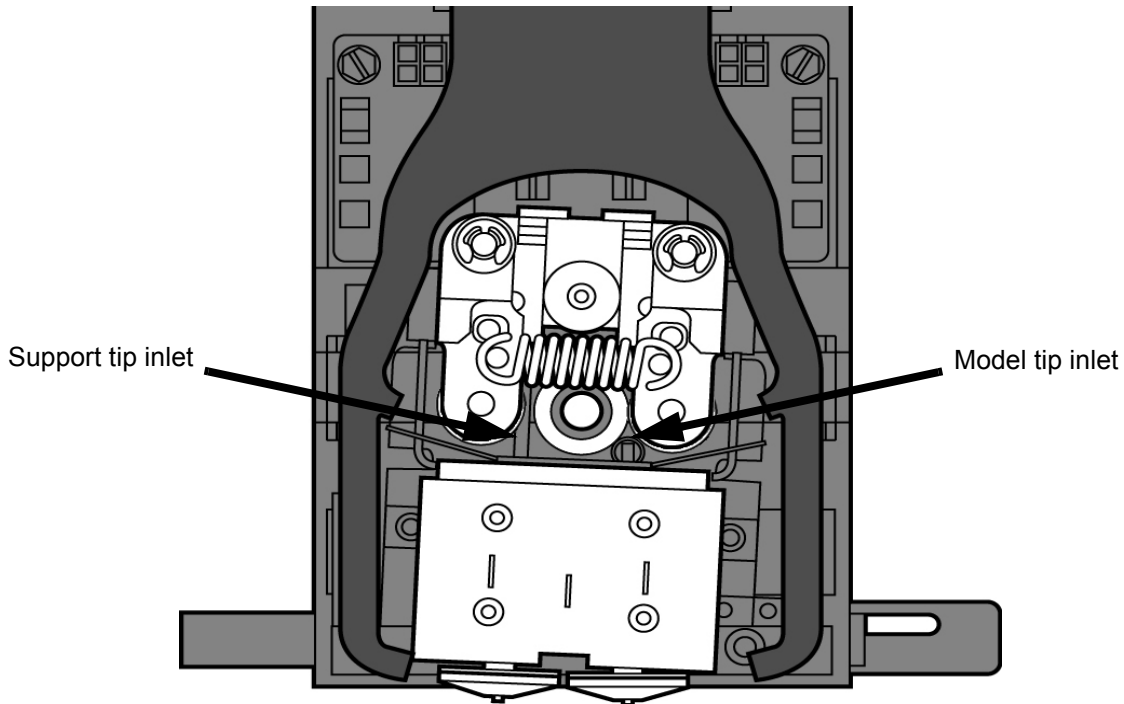
**Gloves:** The head area is hot. Use leather gloves when working in this area of printer.

Figure 6-2: Remove the head cover



6. Inspect tip inlets for material build up(see [Figure 6-3](#)). If there is excess material build up see [“Recovering from loss of extrusion”](#) on page 58. If there is no excess material build up close the chamber door and continue.

[Figure 6-3](#): Tip inlet locations



7. Press **Select Drive** and choose the drive that may have the clogged tip.
8. Press **Forward**, the drive wheel will turn the selected drive forward.
9. Press **Blower Off**, this will turn the head cooling fan off for 10 seconds, allowing the tip to heat up beyond operating temperature. If material starts to extrude the tip is no longer clogged. If material does not extrude see [“Recovering from loss of extrusion”](#) on page 58. If material extrudes, you can continue building your part.
10. Reinstall the head cover.



**Note:** If the head cover is not replaced the printer may not function properly.

---

11. Press **Done**.
12. Display will ask **Which Materials Loaded?** Press **Both**.
13. Press **Done** until back to **Pause** screen.
14. Press **Resume** to continue building the part.

# RECOVERING FROM LOSS OF EXTRUSION



**Note:** It is recommended that you read and understand this entire procedure before performing any of the work.

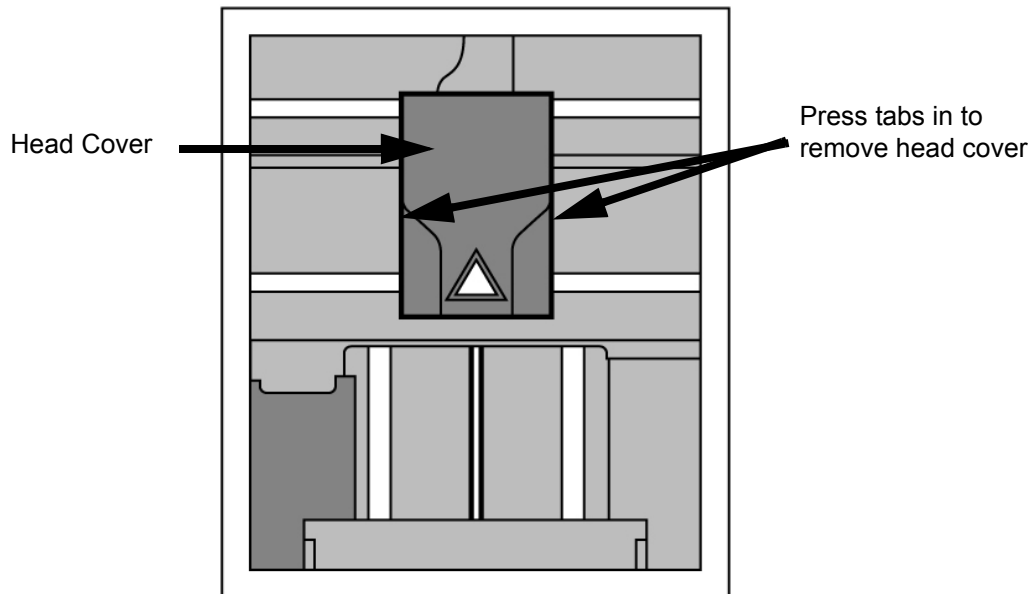
1. Enter **Head Maintenance** mode.
  - A. From **Idle**, press **Maintenance**.
  - B. Press **Machine**.
  - C. Press **Head**. The head will heat up to operating temperature which will take approximately 3 minutes.



**Gloves:** The head area is hot. Use leather gloves when working in this area of printer.

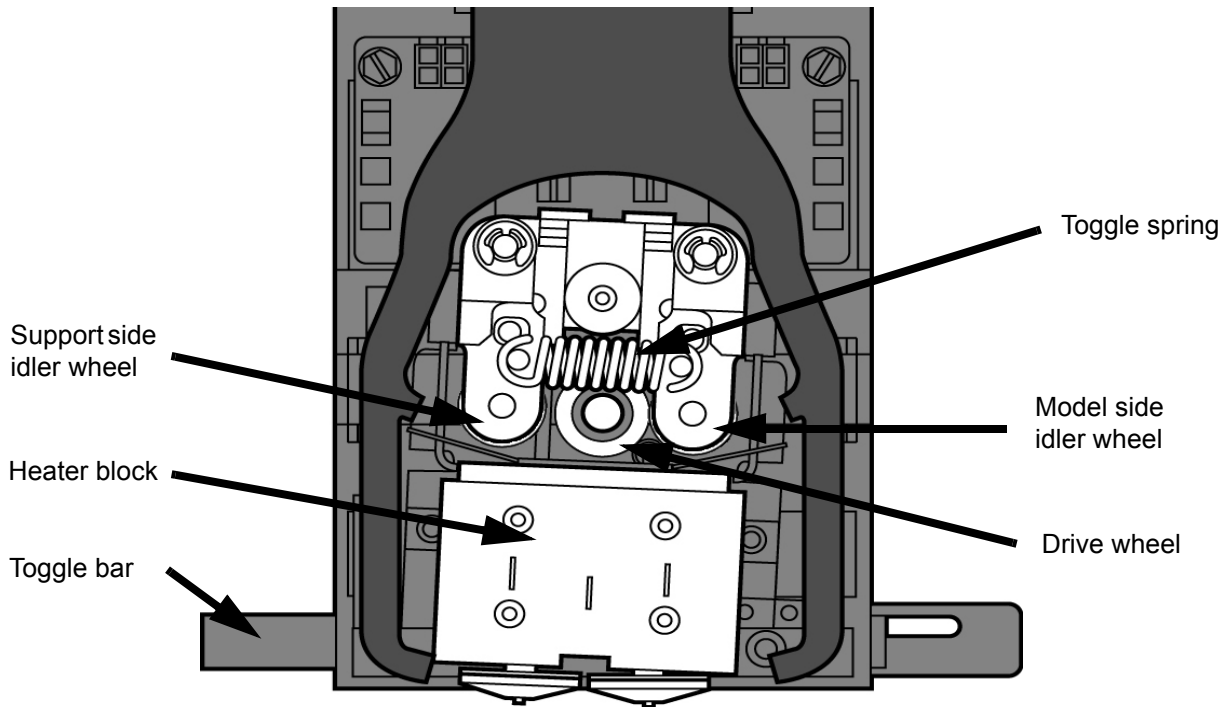
2. Remove the head cover by pressing the tabs in and pulling away from the head. See [Figure 6-4](#).

Figure 6-4: Remove the head cover

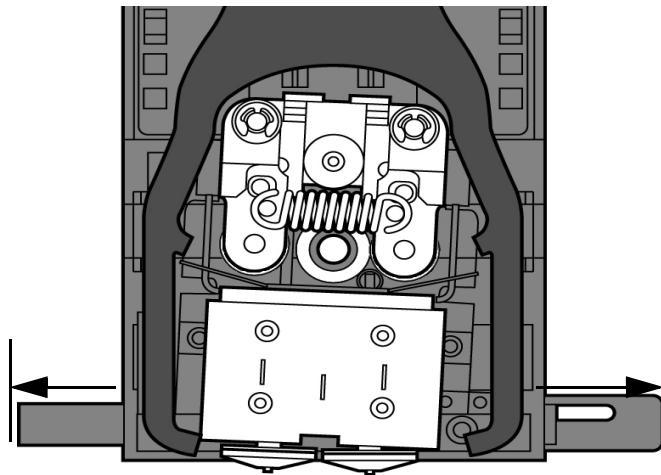


- Place the toggle bar in neutral position (bar will extend equally from both sides of head). This can be done manually - push on the extended bar end. See [Figure 6-5](#).

[Figure 6-5](#): Head Components



[Figure 6-6](#): Toggle bar in neutral position



- Remove any excess material found around the head area.



**Note:** Material fed to the tip can sometimes jam causing a build-up of material under the head cover.



- A. Clean out as much of the material as possible using needle nose pliers, a probe, or equivalent tool.



**Caution:** The end of the tip where the material enters is called the extrusion tube. Extrusion tubes are fragile. Use care when working in this area so as to avoid damage to the tubes.

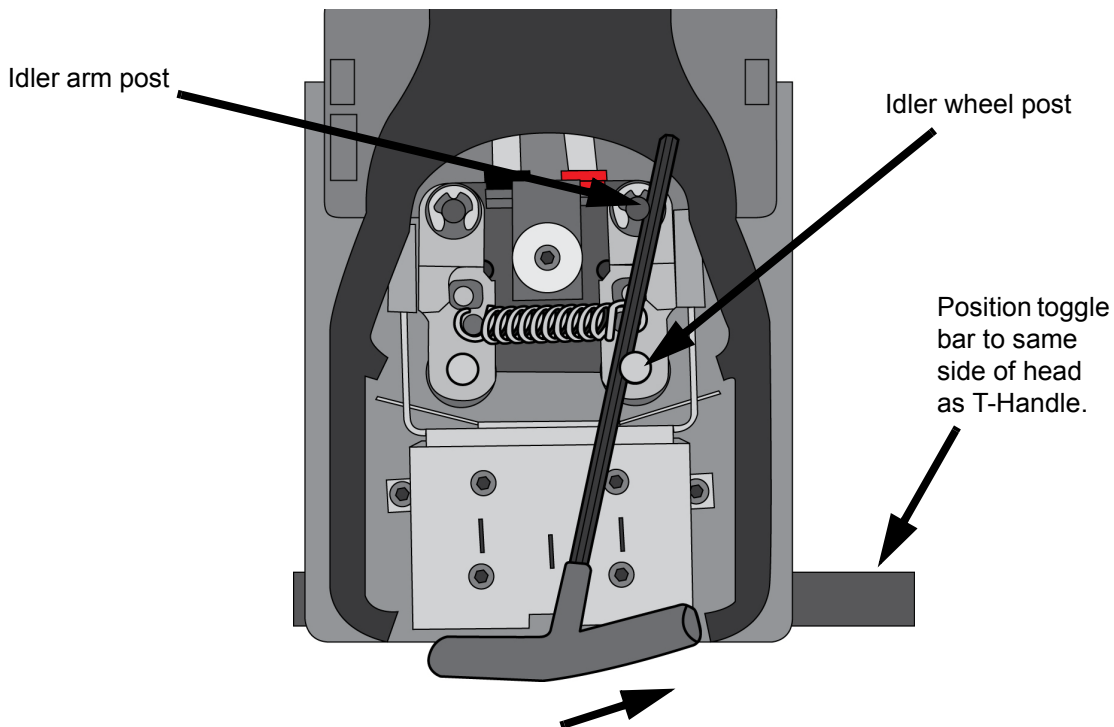
- B. For easier access to areas that may need to be cleaned, move the material idler wheels out of the way (there is one idler wheel for support material and one for model material, see Figure 6-5).



**Note:** Move only one idler wheel assembly at a time. Finish cleaning around the moved wheel and restore it to its normal position before moving the other idler wheel. Having both wheels out of position simultaneously could stretch the spring.

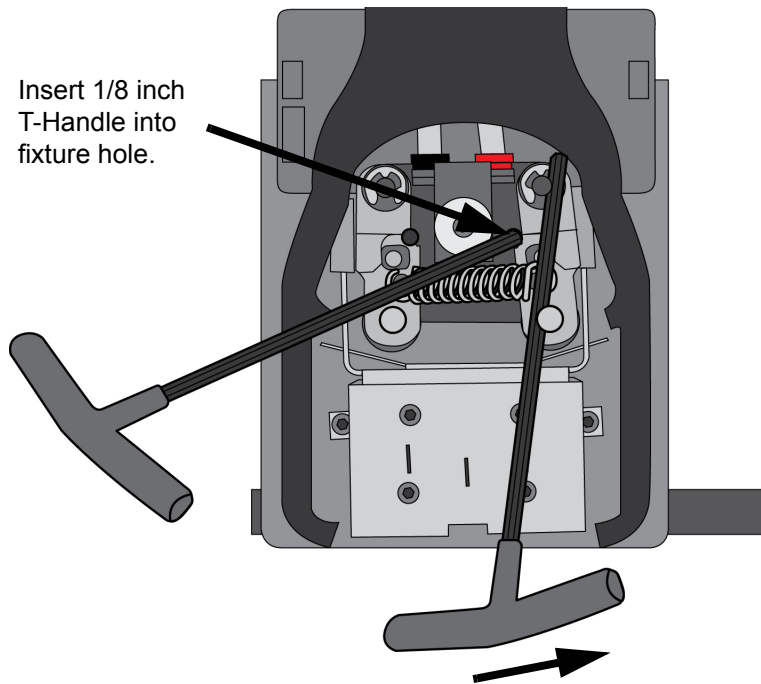
- i. Place a 7/64 T-Handle Allen wrench between the toggle spring post and the idler wheel post as illustrated in Figure 6-7 (model side shown).
- ii. Position toggle bar to the same side of the head as the T-Handle Allen wrench. See Figure 6-7 (model side shown).

Figure 6-7: Create access space for cleaning - model side shown



- iii. Move idler wheel assembly by pushing with 7/64 inch T-Handle Allen wrench against spring tension. Insert a 1/8 T-handled Allen wrench (from startup kit) into the fixture hole. See Figure 6-8.

Figure 6-8: Holding access space open - model side shown



- iv. Ease pressure on the 7/64 T-Handle Allen wrench to carefully return the leveraged idler wheel back toward its original position - until the idler assembly is resting against the 1/8 T-Handle Allen wrench.
  - v. Remove the 7/64 T-Handle Allen wrench.
- C. Cut the material above the idler wheel using a cutters.
- D. Clean the area that is now accessible using a needle nose pliers, a probe or equivalent tool.



**Note:** Make sure that all loose material is removed from the affected area.

- E. Reposition the 7/64 T-Handle Allen wrench between the toggle spring post and the idler wheel post.
  - F. Move idler wheel assembly by pushing with 7/64 inch T-Handle Allen wrench against spring tension and remove the 1/8 T-handled Allen wrench.
  - G. Remove the 7/64 T-Handle Allen wrench.
5. Repeat for the opposite side as needed.
6. Replace the head cover.



**Note:** If the head cover is not replaced the printer may not function properly.

7. Press **Done** on the display panel.
8. Display will ask **Which Materials Loaded?**. Press **Model** if only model material is loaded, press **Support** if only support material is loaded or press **Both** if both model and support material are still loaded. Press **None** if neither are loaded.
9. Display will ask you to remove the carrier of the materials that are not loaded. Remove the carrier and cut the excess material.
10. Press **Done** until back at **Idle**.
11. Reload the material that is not loaded.

# 7 SUPPORT

## REGISTRATION

To register your uPrint SE or uPrint SE Plus 3D printer, visit: <http://www.stratasys.com/customer-support/customer-resource-center/mojo-and-uprint-system-support>.

## CUSTOMER SUPPORT

Visit the Stratasys website for information on the following:

- How to order consumable parts for your uPrint SE or uPrint SE Plus printer.
- Technical support contact information for your uPrint SE or uPrint SE Plus printer.

When contacting technical support please provide the following:

*By phone:*

- System model.
- System serial number.
- System software build number.
- CatalystEX version number.
- Detailed description of the problem you are experiencing.
- Please try to be near the printer for troubleshooting, if possible.

*By email:*

- System model.
- System serial number.
- Your name.
- Your telephone number.
- Detailed description of the problem you are experiencing.








*For advanced troubleshooting (provide by email):*

- System CFG file.
- STL and/or CMB files.
- Detailed photographs showing the issue.

# 8 RECYCLING

Recycle all materials per your local recycling guidelines.

## RECYCLING CODES

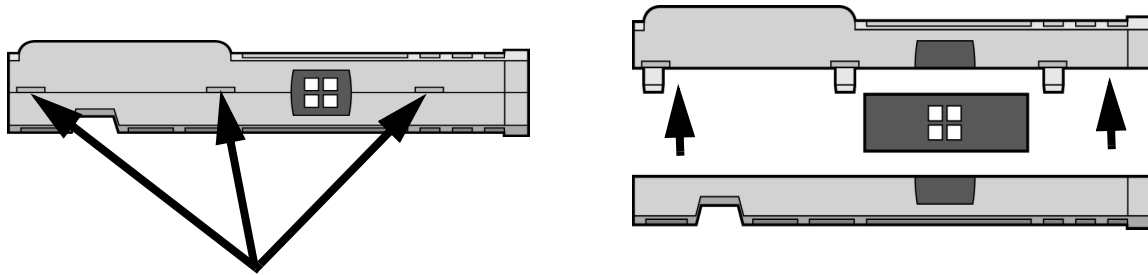
System Component	Materials	Recycling Code
X (2) and Y (4) guide rod restraints (orange)	ABS	
Model material guide (red, both halves)	ABS	
Support material guide (black, both halves)	ACETAL	
Material retaining clip (blue)	ABS	
Material Carrier (clear top, black bottom and bottom cover. Latches, hinge pin and electronics not included)	PC	
Material Spool & lid (gray)	PS - HI	
Modeling bases	ABS	
EEproms	Electronics	
Desiccants can be recycled per your local recycling guidelines		
All packaging materials can be recycled per your local recycling guidelines.		

Follow your local recycling guidelines when recycling electronic components.

## REMOVING THE EEPROMS FROM THE MATERIAL GUIDES

1. Open the model and support material carriers and remove the material guides.
2. With a small standard screwdriver, pry the two material guide halves apart. See [Figure 8-1](#).

[Figure 8-1](#): Pry the model material guide apart



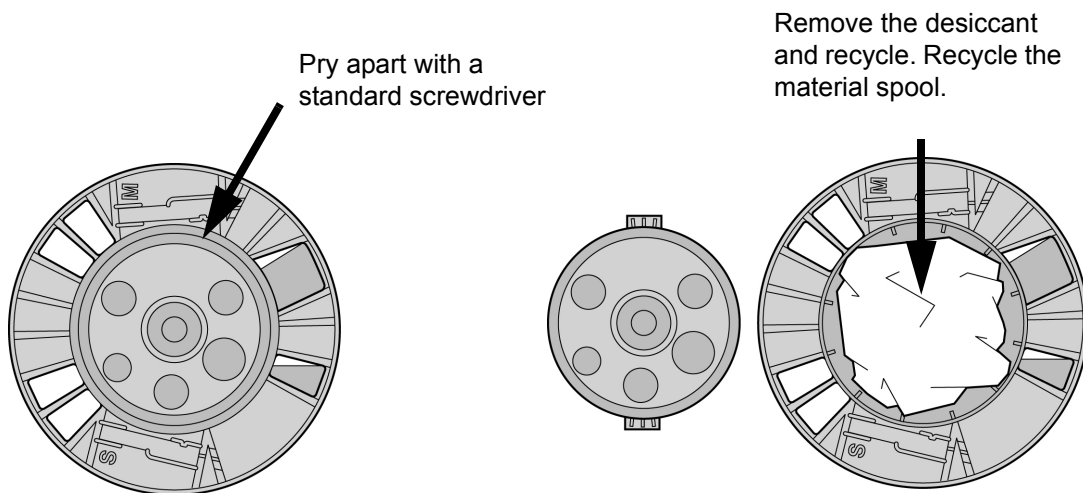
Pry apart with a small standard screwdriver

3. Recycle the EEPROM per your local electronics recycling guidelines.
4. Recycle the material guides per your local guidelines. See [“Recycling Codes” on page 63](#).

## REMOVING THE DESICCANT FROM THE MATERIAL SPOOL

1. Remove the excess material from the material spool.
2. Use a standard screwdriver to pry the desiccant cover open. See [Figure 8-2](#).

[Figure 8-2](#): Removing the desiccant



3. Remove the desiccant and recycle per your local guidelines.
4. Recycle the material spool per your local guidelines. See [“Recycling Codes” on page 63](#).

# 9 PRINTER SPECIFICATIONS

The information in this section is applicable to both uPrint SE and uPrint SE Plus printers.

## PHYSICAL SPECIFICATIONS

Height	762 mm (30 in)
Width	660 mm (26 in)
Depth	660 mm (26 in)
Weight	59 kg (130 lbs)
Material bay height	153 mm (6 in)
Material bay width	660 mm (26 in)
Material bay depth	660 mm (26 in)
Material bay weight	7.7 kg (17 lbs)

## FACILITY SPECIFICATIONS

Installation location	Stable flat surface capable of holding 100 kg (220 lbs), with a height clearance of 90 - 100 cm (36 - 40 in).  Note - if using additional material bay: Stable flat surface capable of holding 120 kg (260 lbs), with a height clearance of 117 - 127 cm (46 - 50 in).
Power Requirements	100–240VAC ~ 12 - 7A 50/60Hz 1200W dedicated circuit within 2 m (80 in.)  Do not use an extension cord or a power strip, using these can possibly cause intermittent power issues.
Air Circulation	115 mm (4.5 in) minimum space behind printer for air circulation. 153 mm (6 in) minimum space around printer for air circulation.
Network Connection	Ethernet 10/100 Base T within 4m (14 ft).

## WORKSTATION SPECIFICATIONS

For details, see the CatalystEX Workstation Requirements document available from the Stratasys website.

# POWER SPECIFICATIONS

---

Source (nominal)	100–240VAC ~ 12 - 7A 50/60Hz 1200W
	Do not use an extension cord or a power strip, using these can possibly cause intermittent power issues.

---

# ENVIRONMENTAL SPECIFICATIONS

The uPrint SE and uPrint SE Plus are intended for indoor use only.

---

Operating temperature range	18°C to 30°C (65°F to 86°F)
Relative humidity range	30 to 70 percent, non condensing
Altitude	Shall not exceed 6561.68 feet (2000 m)
Air quality	Air quality conditions with excessive solid particulates (conductive or non-conductive) may result in system damage.  Air quality conditions in which airborne oils are allowed to accumulate on or within the printer can damage the plastic components.
Heat emission	2550 BTU/hr typical

---

# ACOUSTIC SPECIFICATIONS

---

Idle sound pressure at bystander	55 dBA
Operating sound pressure at bystander	62 dBA

---

# 10 SUPPLEMENTAL INFORMATION

## UNINTERRUPTIBLE POWER SUPPLY

### USE AND INSTALLATION

The intent of the Uninterruptible Power Supply (UPS) shutdown feature on uPrint SE and uPrint SE Plus 3D printers is to prevent required maintenance and/or system damage by safely shutting the system down in the event of an uncontrolled loss of power. Whether an in-process build of a part will complete successfully is dependent on the battery life of the selected UPS and the duration of the power outage.

The user should select a UPS with the following specifications:

- Runtime minimum of 15 minutes at 1000W output (run times >15 minutes may be appropriate based on the typical duration of power outages at the site)
- Runtime minimum 8 minutes after low battery warning tripped.
- Peak output (minimum) of 1500W
- Dry contact (voltage free) interface for “On battery” and “Low battery” conditions
- Dry contact interface capable of carrying at least 100mA at 12VDC.

### GENERAL INFORMATION

Refer to the UPS and I/O Module (if used) Installation and Operation Guides for instructions on installing the I/O module (if used) into the UPS unit as well as for connecting AC power to the UPS and 3D Printer. While connecting the 3D Printer power to the UPS will provide some protection against power outages, the 3D Printer will shut down safely when “on battery” and “low battery” conditions are detected. Follow the Electrical Interface Connection information below.

1. Configure Normally Open dry contact relay I/Os of UPS as shown in [Figure 10-1](#) (Wired-And configuration).
2. Build an appropriate length of UPS to 3D Printer cable. See [Figure 10-2](#) for pin out.
3. Connect the cable from the UPS unit’s connector to the UPS (9-pin DSub) connector on the rear of the 3D Printer.



**Note:** Make certain to install the jackscrews that hold the cable connectors to their respective mates (do not over-tighten)

4. Follow the instructions in the UPS Installation and Operation Guide to set the “Low Battery Warning Level” to 8 minutes.

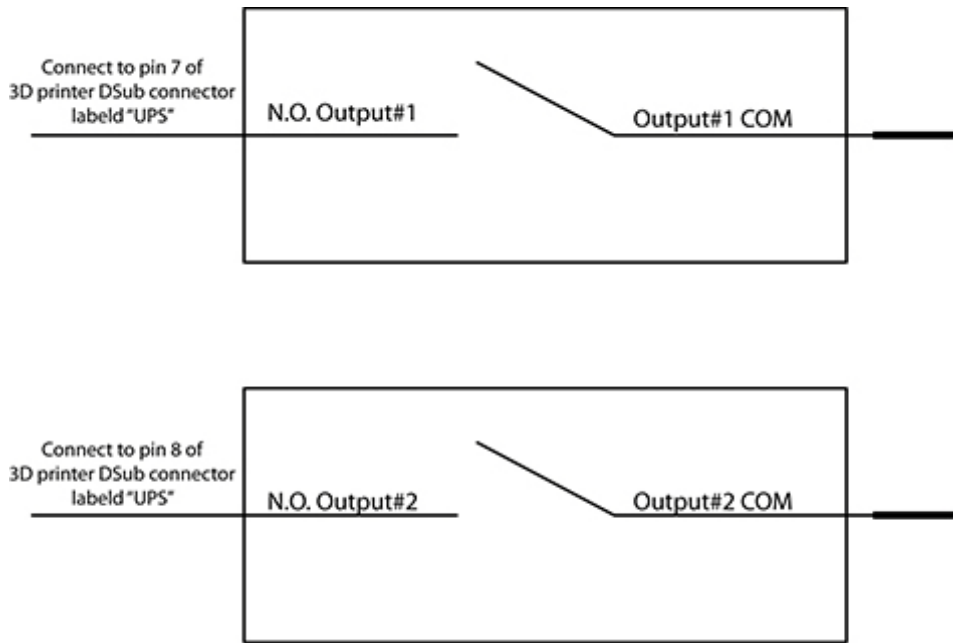


**Note:** The default low battery warning level value may not provide adequate time to ensure the 3D Printer can shut down safely.

---



Figure 10-1: Wired-And configuration



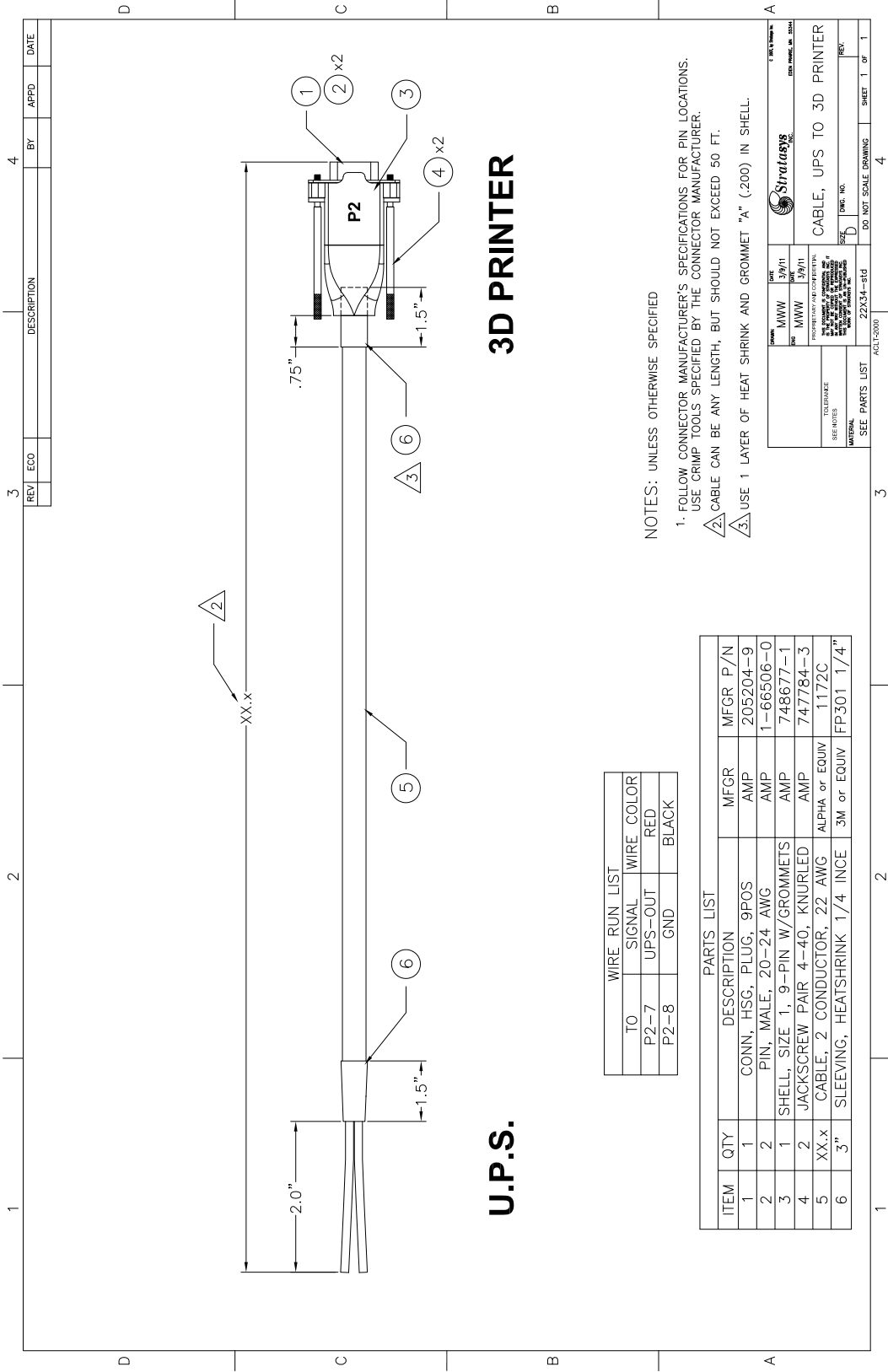
## PARTS LIST – CABLE, UPS TO 3D PRINTER

Item	Qty	Nomenclature / Description	Material Specification
1	1	Conn, Hsg, Plug, 9Pos	AMP - 205204-9
2	2*	Pin, Male, 24-20 AWG	AMP - 1-66506-0
3	1	Shell, Size 1, 9-Pin w/Grommets	AMP - 748677-1
4	2	Jackscrew Pair 4-40, Knurled	AMP - 747784-3
5	XX.x	Cable, 2 Conductor, 22 AWG	ALPHA - 1172C or Equivalent
6	3.0 inch	Sleeving, Heatshrink 1/4 Inch	3M - FP301 or Equivalent



**Note:** \* May need additional pins depending on the UPS configuration.

Figure 10-2: UPS Cable diagram



**3D PRINTER**

**U.P.S.**

NOTES: UNLESS OTHERWISE SPECIFIED

- 1. FOLLOW CONNECTOR MANUFACTURER'S SPECIFICATIONS FOR PIN LOCATIONS. USE CRIMP TOOLS SPECIFIED BY THE CONNECTOR MANUFACTURER.
- △ CABLE CAN BE ANY LENGTH, BUT SHOULD NOT EXCEED 50 FT.
- △ USE 1 LAYER OF HEAT SHRINK AND GROMMET "A" (.200) IN SHELL.

WIRE RUN LIST		
TO	SIGNAL	WIRE COLOR
P2-7	UPS-OUT	RED
P2-8	GND	BLACK

PARTS LIST			
ITEM	QTY	DESCRIPTION	MFGR P/N
1	1	CONN, HSG, PLUG, 9POS	205204-9
2	2	PIN, MALE, 20-24 AWG	1-66506-0
3	1	SHELL, SIZE 1, 9-PIN W/GROMMETS	748677-1
4	2	JACKSCREW PAIR 4-40, KNURLED	747784-3
5	XX x	CABLE, 2 CONDUCTOR, 22 AWG	ALPHA or EQUIV
6	3"	SLEEVING, HEATSHRINK 1/4 INCE	3M or EQUIV FP301 1/4"

REV	ECO	DESCRIPTION	BY	APPD	DATE
3					
4					

DATE	1/28/11	BY	MMW
DATE	1/29/11	BY	MMW
THE INFORMATION CONTAINED HEREIN IS UNCLASSIFIED EXCEPT WHERE SHOWN OTHERWISE. DATE OF DECLASSIFICATION IS INDEFINITE.			
TOLERANCE	SEE NOTES		
MATERIAL	SEE PARTS LIST		
SCALE	DO NOT SCALE DRAWING		
FIG. NO.	22X34-81d		
REV	D	SHEET	1 OF 1

# DECLARATION OF CONFORMITY

Declaration of Conformity information is available from the StratasyS website at: <http://www.stratasyS.com/customer-support/customer-resource-center/documentation>.

## REGULATORY AND ENVIRONMENTAL INFORMATION

### EMC CLASS A WARNING



**Warning:** This is a Class A product. In a domestic environment this product may cause radio interference in which case the user may be required to take adequate measures.

---

### FCC STATEMENTS (U.S.A.)

The U.S. Federal Communications Commission (in 47 cfr1 5.105) has specified that the following notices be brought to the attention of users of this product.

This device complies with part 15 of the FCC rules. Operation is subject to the following two conditions:(1) this device may not cause harmful interference, and (2) this device must accept any interference received, including interference that may cause undesired operation.

**Shielded cables:** use of shielded data cables is required to comply with the Class A limits of Part 15 of the FCC Rules.



**Caution:** Pursuant to Part 15.21 of the FCC Rules, any changes or modifications to this equipment not expressly approved by the Hewlett-Packard Company may cause harmful interference and void the FCC authorization to operate this equipment.

---



**Note:** This equipment has been tested and found to comply with the limits for a Class A digital device, pursuant to Part 15 of the FCC Rules. These limits are designed to provide reasonable protection against harmful interference in a commercial environment. This equipment generates, uses and can radiate radio frequency energy and, if not installed and used in accordance with the instructions, may cause harmful interference to radio communications. Operation of this equipment in a residential area is likely to cause harmful interference, in which case the user will be required to correct the interference at their own expense.

---

# CANADA ELECTROMAGNETIC COMPATIBILITY (EMC)

## Normes de sécurité (Canada)

Le présent appareil numérique n'émet pas de bruits radioélectriques dépassant les limites applicables aux appareils numériques de Classe **A** prescrites dans le règlement sur le brouillage radioélectrique édicté par le Ministère des Communications du Canada.

## DOC statement (Canada)

This digital apparatus does not exceed the Class **A** limits for radio noise emissions from digital apparatus set out in the Radio Interference Regulations of the Canadian Department of Communications.

## MSDS (MATERIAL SAFETY DATA SHEET)

You can obtain current Material Safety Data Sheets for the material used in the printer by visiting:  
[www.stratasys.com/materials/material-safety-data-sheets](http://www.stratasys.com/materials/material-safety-data-sheets).

## DISPOSAL OF WASTE EQUIPMENT BY USERS IN PRIVATE HOUSEHOLDS IN THE EUROPEAN UNION



This symbol on the product or on its packaging indicates that this product must not be disposed of with your other household waste. Instead, it is your responsibility to dispose of your waste equipment by handing it over to a designated collection point for the recycling of waste electrical and electronic equipment. The separate collection and recycling of your waste equipment at the time of disposal will help to conserve natural resources and ensure that it is recycled in a manner that protects human health and the environment. For more information about where you can drop off your waste equipment for recycling, please contact your local city office, your household waste disposal service or the shop where you purchased the product.

ISO 9001:2008 Certified  
© Copyright 2016 Stratasys Inc. All rights reserved.

#### DOCUMENTATION FEEDBACK

Customers, resellers, and Stratasys employees are encouraged to send comments about our documentation and training to [c-support@stratasys.com](mailto:c-support@stratasys.com). We greatly value your comments, review all of them, and use them to improve subsequent releases of the documentation. In your email message please include the document title, part number (located on the front cover), and page number. Please note that we do not respond to general questions or support requests submitted to this email address.

**stratasys**

THE 3D PRINTING SOLUTIONS COMPANY

 **goengineer**  
[www.goengineer.com](http://www.goengineer.com)

**3D PRINTER SALES**  
[info@goengineer.com](mailto:info@goengineer.com)  
800.688.3234

**CONSUMABLES HELP**  
[supplies@goengineer.com](mailto:supplies@goengineer.com)  
855.470.0647

**3D PRINTER SUPPORT**  
[AMsupport@goengineer.com](mailto:AMsupport@goengineer.com)  
855.470.0647